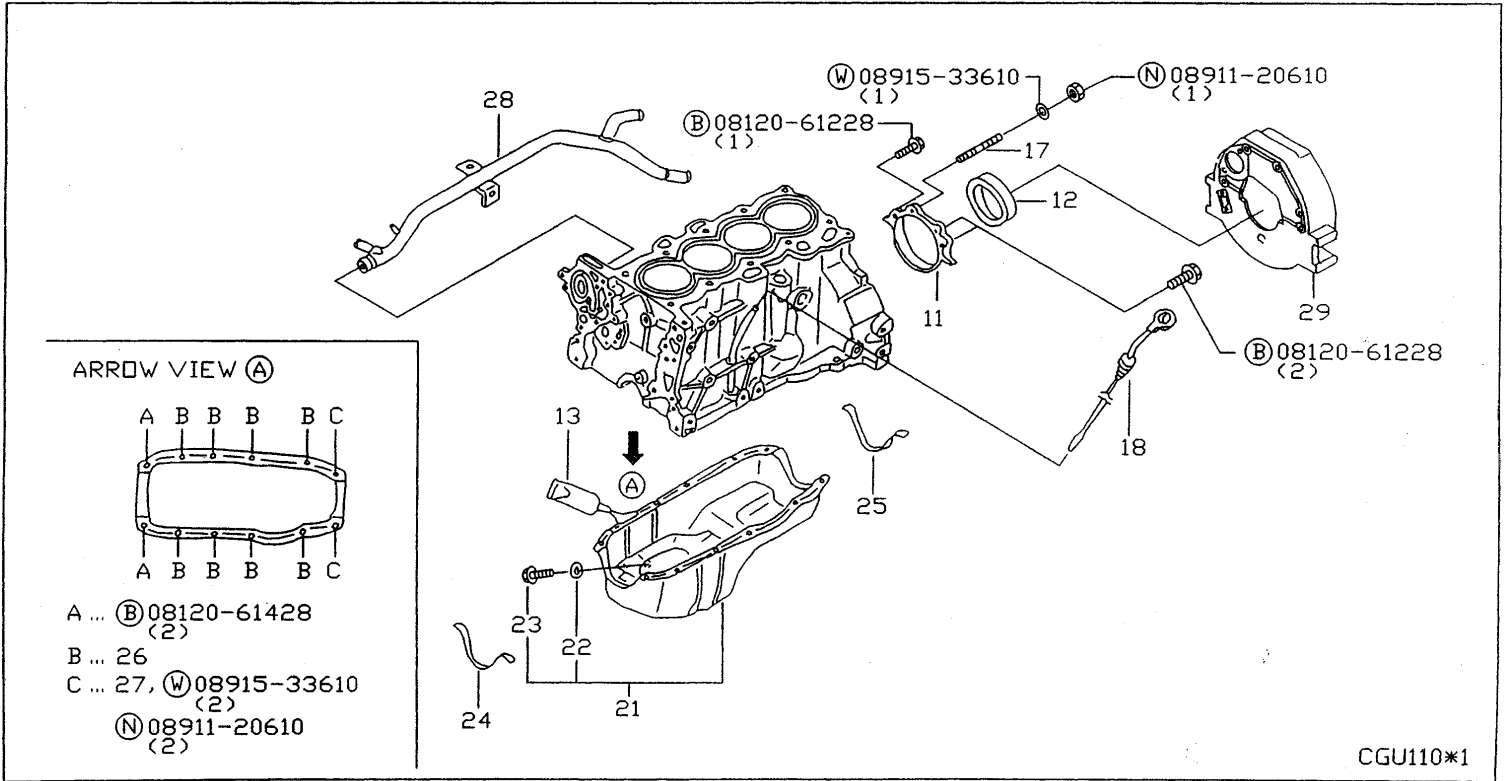


NISSAN CG-13

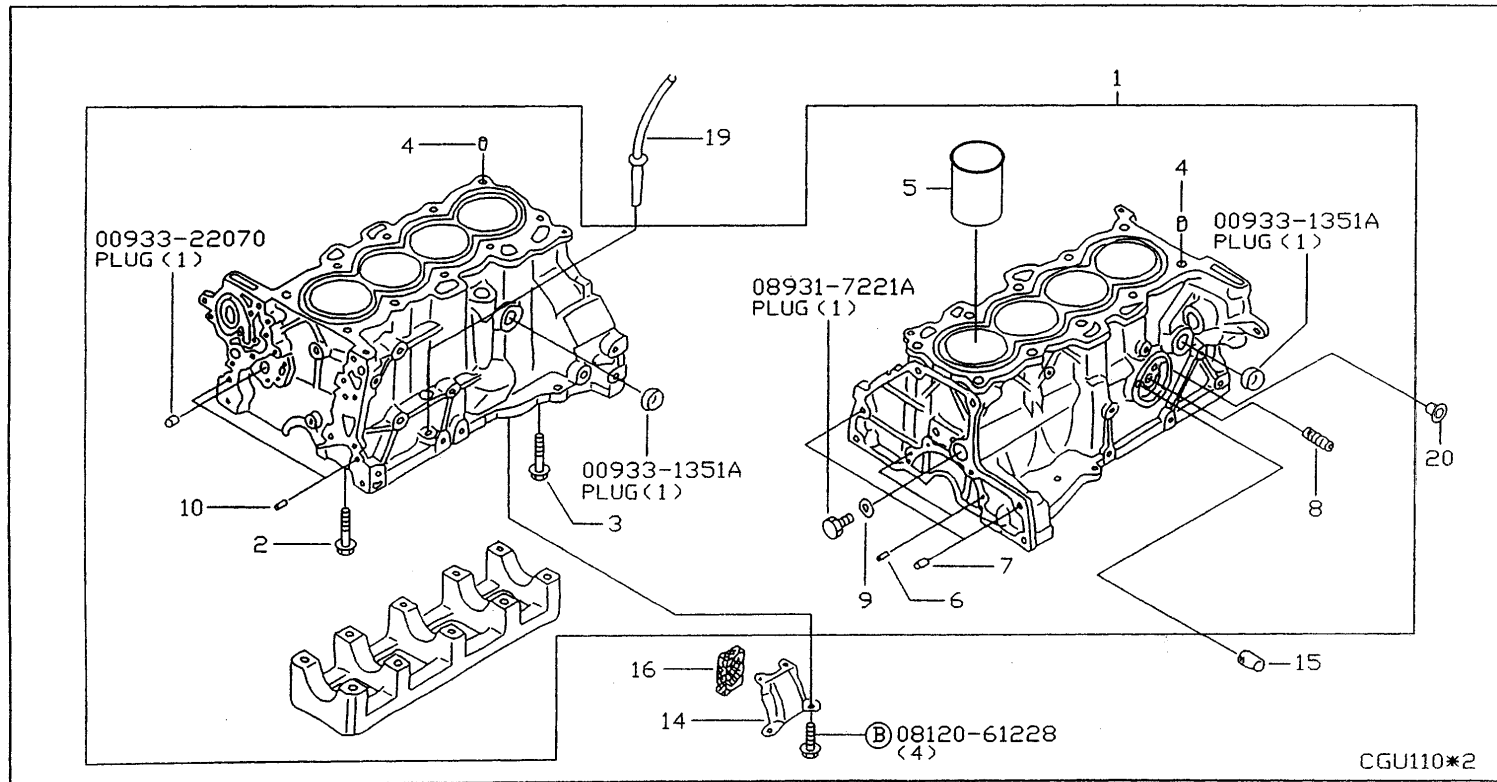
SECTION INDEX

| SEC. | NAME | SEC. | NAME |
|------|---------------------------------------|-----------------------------------------------------------------|------|
| 110 | CYLINDER BLOCK & OIL PAN | <i>NISSAN TO POWER BOSS PART NUMBER CONVERSION.</i> | |
| 111 | CYLINDER HEAD & ROCKER COVER | | |
| 117 | FAN, COMPRESSOR & POWER STEERING BELT | | |
| 118 | CRANKCASE VENTILATION | | |
| 120 | PISTON, CRANKSHAFT & FLYWHEEL | | |
| 130 | CAMSHAFT & VALVE MECHANISM | | |
| 135 | FRONT COVER & FITTING | | |
| 140 | MANIFOLD | | |
| 150 | LUBRICATING SYSTEM | | |
| 160 | CARBURETOR | | |
| 165 | AIR CLEANER | | |
| 170 | FUEL PUMP | | |
| 191 | GOVERNOR | | |
| 200 | EXHAUST TUBE & MUFFLER | | |
| 210 | WATER PUMP, COOLING FAN & THERMOSTAT | | |
| 211 | MANIFOLD | | |
| 214 | RADIATOR | | |
| 220 | IGNITION SYSTEM | | |
| 221 | DISTRIBUTOR | | |
| 223 | VACUUM PIPING | | |
| 230 | ALTERNATOR FITTING | | |
| 231 | ALTERNATOR | | |
| 233 | STARTER MOTOR | | |
| 240 | WIRING | | |

SEC.110 CYLINDER BLOCK & OIL PAN



SEC.110 CYLINDER BLOCK & OIL PAN

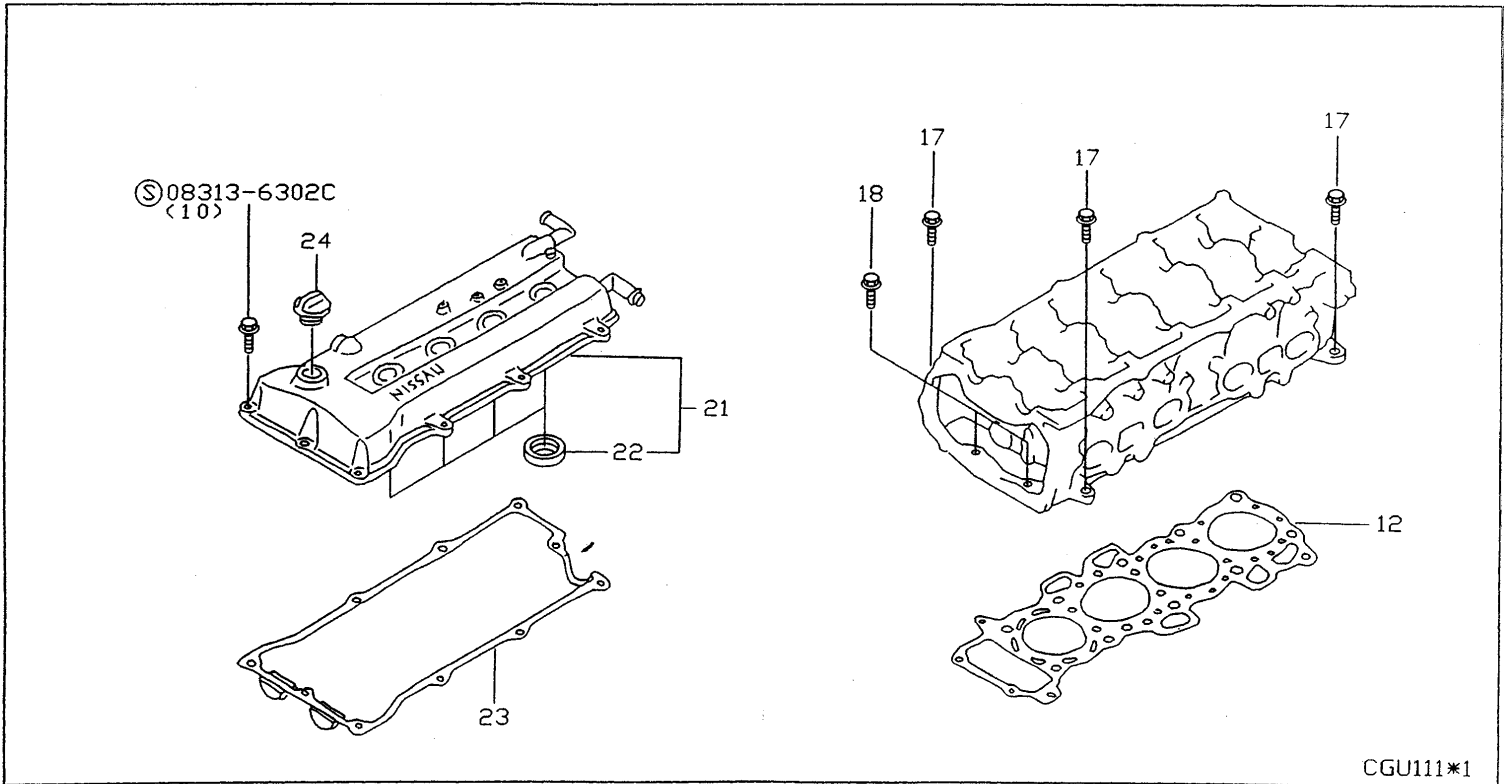


SEC.110 CYLINDER BLOCK & OIL PAN

| APPLIED MODEL | | | | | | | | | | | | | | | | | | | | |
|----------------------------|----------------------------|------------------|------------------|-------------|-------------|--|--|--|--|--|--|--|--|--|--|--|--|--|--|--|
| P O C G 1 3 | P O C G 1 3 | P U S H | S U C T | F A N | F A N | | | | | | | | | | | | | | | |
| | | | | | | | | | | | | | | | | | | | | |
| | | | | | | | | | | | | | | | | | | | | |

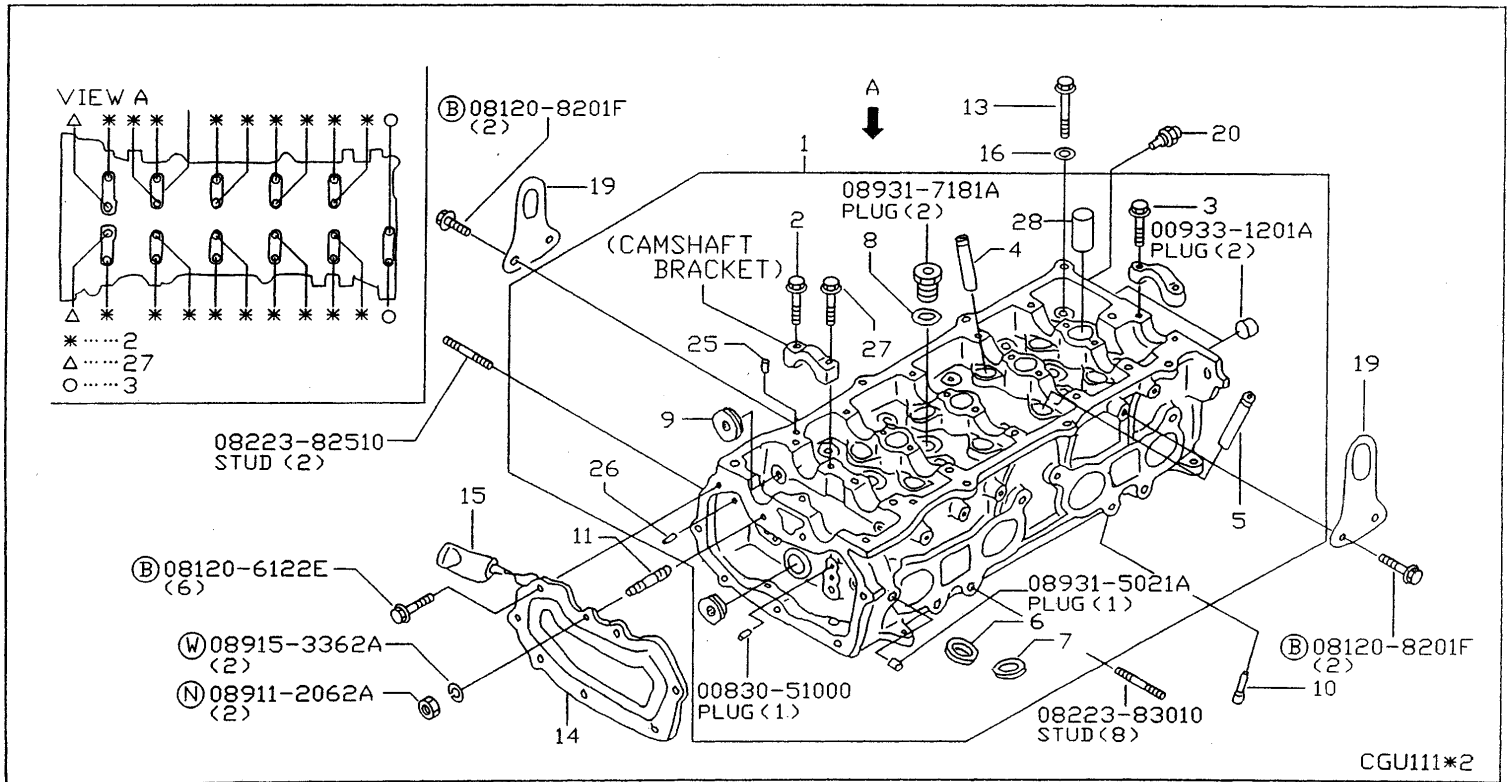
| N S C | KEY NO. | L E V | PART NO. | PART NAME | SPECIFICATION | QTY | APPLIED DATE | ICA NF | FORMER PART NO. | K D | O 1 | O 2 | 03 | 04 | 05 | 06 | 07 | 08 | 09 | 10 | 11 | 12 | 13 | 14 | 15 | 16 | 17 | 18 | 19 | 20 |
|-------------|---------|-------------|----------|-----------|---------------|-----|--------------|-----------|--------------------|--------|--------|--------|----|----|----|----|----|----|----|----|----|----|----|----|----|----|----|----|----|----|
| | | | | | | | | | | | | | | | | | | | | | | | | | | | | | | |

SEC.111 CYLINDER HEAD & ROCKER COVER



CGU111*1

SEC.111 CYLINDER HEAD & ROCKER COVER

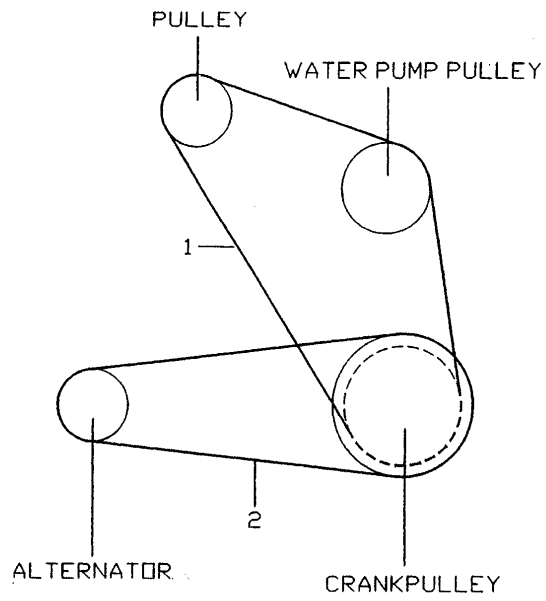


SEC.111 CYLINDER HEAD & ROCKER COVER

| APPLIED MODEL | | | | | | | | | | | | | | | | | | | | |
|----------------------------|----------------------------|------------------|------------------|-------------|-------------|----|----|----|----|-----|-----|-----|-----|-----|-----|-----|-----|-----|-----|-----|
| P C O G 1 3 | P C O G 1 3 | P U S H | S U C T | F A N | F A N | | | | | | | | | | | | | | | |
| D | O1 | O2 | O3 | O4 | O5 | O6 | O7 | O8 | O9 | O10 | O11 | O12 | O13 | O14 | O15 | O16 | O17 | O18 | O19 | O20 |
| | ○ | ○ | | | | | | | | | | | | | | | | | | |
| | ○ | ○ | | | | | | | | | | | | | | | | | | |
| | ○ | ○ | | | | | | | | | | | | | | | | | | |
| | ○ | ○ | | | | | | | | | | | | | | | | | | |
| | ○ | ○ | | | | | | | | | | | | | | | | | | |
| | ○ | ○ | | | | | | | | | | | | | | | | | | |
| | ○ | ○ | | | | | | | | | | | | | | | | | | |
| | ○ | ○ | | | | | | | | | | | | | | | | | | |
| | ○ | ○ | | | | | | | | | | | | | | | | | | |
| | ○ | ○ | | | | | | | | | | | | | | | | | | |
| | ○ | ○ | | | | | | | | | | | | | | | | | | |
| | ○ | ○ | | | | | | | | | | | | | | | | | | |
| | ○ | ○ | | | | | | | | | | | | | | | | | | |
| | ○ | ○ | | | | | | | | | | | | | | | | | | |
| | ○ | ○ | | | | | | | | | | | | | | | | | | |
| | ○ | ○ | | | | | | | | | | | | | | | | | | |
| | ○ | ○ | | | | | | | | | | | | | | | | | | |
| | ○ | ○ | | | | | | | | | | | | | | | | | | |
| | ○ | ○ | | | | | | | | | | | | | | | | | | |
| | ○ | ○ | | | | | | | | | | | | | | | | | | |
| | ○ | ○ | | | | | | | | | | | | | | | | | | |
| | ○ | ○ | | | | | | | | | | | | | | | | | | |
| | ○ | ○ | | | | | | | | | | | | | | | | | | |
| | ○ | ○ | | | | | | | | | | | | | | | | | | |
| | ○ | ○ | | | | | | | | | | | | | | | | | | |
| | ○ | ○ | | | | | | | | | | | | | | | | | | |
| | ○ | ○ | | | | | | | | | | | | | | | | | | |
| | ○ | ○ | | | | | | | | | | | | | | | | | | |
| | ○ | ○ | | | | | | | | | | | | | | | | | | |
| | ○ | ○ | | | | | | | | | | | | | | | | | | |
| | ○ | ○ | | | | | | | | | | | | | | | | | | |
| | ○ | ○ | | | | | | | | | | | | | | | | | | |
| | ○ | ○ | | | | | | | | | | | | | | | | | | |
| | ○ | ○ | | | | | | | | | | | | | | | | | | |

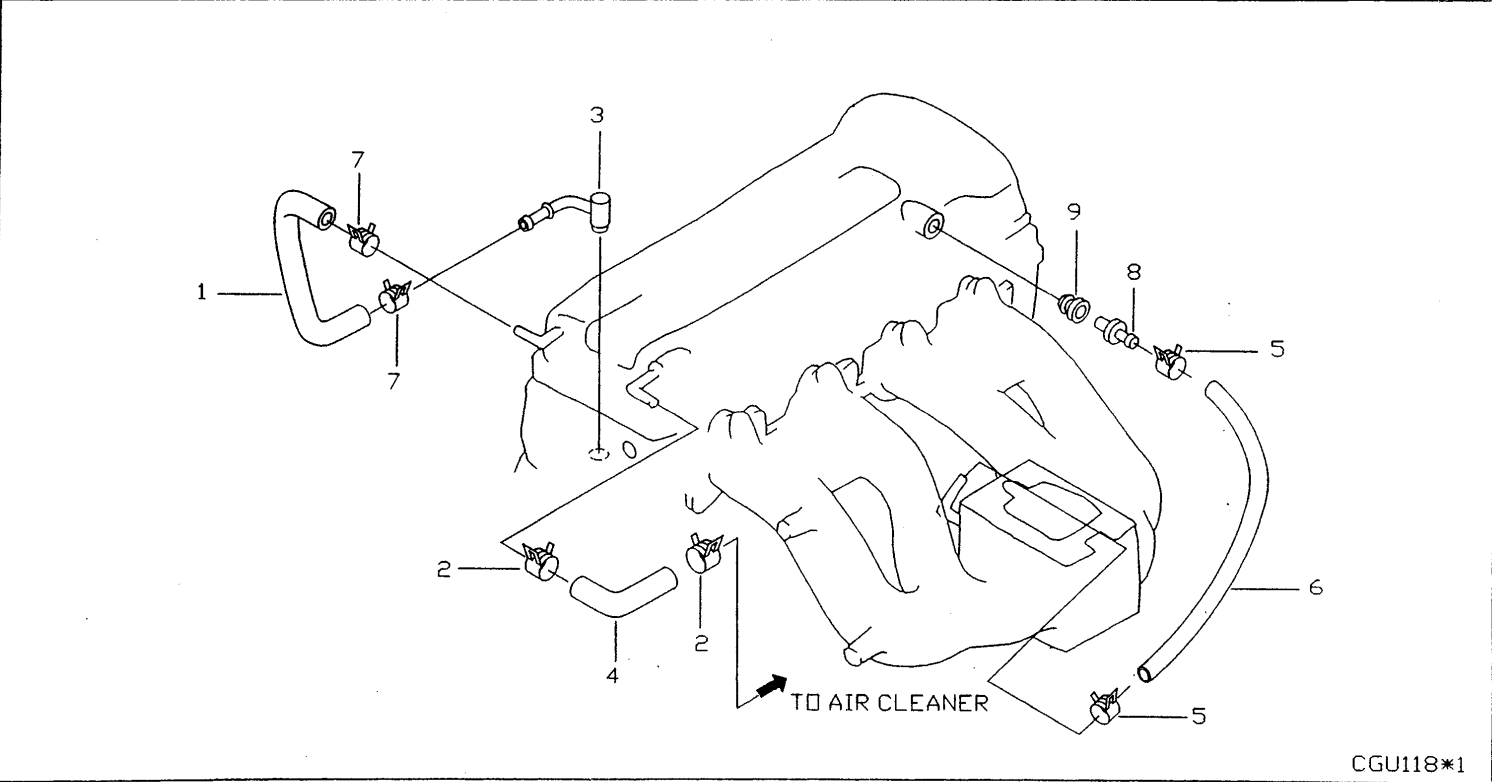
| N S C | KEY NO. | LEV. | PART NO. | PART NAME | SPECIFICATION | QTY | APPLIED DATE | ICAF | FORMER PART NO. |
|-------------|---------|------|-------------|--------------------------|-----------------|-----|--------------|------|-----------------|
| | 1 01 1 | | 11040-41B04 | HEAD ASSY-CYLINDER | 3336463 | | 01 0498- | | |
| | 2 01 2 | | 13058-53Y00 | BOLT-CAMSHAFT BRACKET | 3336384 | | 18 0498- | | |
| | 3 01 2 | | 13058-53Y01 | BOLT-CAMSHAFT BRACKET | 3336383 | | 02 0498- | | |
| | 4 01 2 | | 13212-41B60 | GUIDE-VALVE, INTAKE | 3336367 | | 08 0498- | | |
| | 5 01 2 | | 13213-41B60 | GUIDE-VALVE, EXHAUST | 3336366 | | 08 0498- | | |
| | 6 01 2 | | 11098-41B60 | SEAT-VALVE, INTAKE | 3336450 | | 08 0498- | | |
| | 7 01 2 | | 11099-41B61 | SEAT-VALVE, EXHAUST | 3336449 | | 08 0498- | | |
| | 8 01 2 | | 11026-53J00 | GASKET | 3336468 | | 02 0498- | | |
| | 9 01 2 | | 11051-41B00 | PLUG-WELCH | 3336457 | | 01 0498- | | |
| | 10 01 1 | | 11047-21000 | JET-OIL, CYLINDER HEAD | 3336459 | | 01 0498- | | |
| | 11 01 1 | | 01151-00631 | STUD | 3336509 | | 02 0498- | | |
| | 12 01 1 | | 11044-41B00 | GASKET-CYLINDER HEAD | 3336462 | | 01 0498- | | |
| | 13 01 1 | | 11056-41B00 | BOLT-CYLINDER HEAD | 3336455 | | 10 0498- | | |
| | 14 01 1 | | 11046-41B12 | COVER-CYLINDER HEAD | 3336461 | | 01 0498- | | |
| | 15 01 1 | | KP710-00150 | GASKET-FLUID | 3336100/3336497 | | AR 0498- | | |
| | 16 01 1 | | 11058-53Y00 | WASHER-PLAIN | 3336454 | | 10 0498- | | |
| | 17 01 1 | | 01121-05811 | BOLT | 3336514 | | 03 0498- | | |
| | 18 01 1 | | 01121-05821 | BOLT | 3336513 | | 02 0498- | | |
| | 19 01 1 | | 10005-41B00 | SLINGER-ENGINE | 3336473 | | 02 0498- | | |
| | 20 01 1 | | 25080-89903 | SENSOR-TEMPERATURE | 3336514 | | 01 0498- | | |
| | | 02 1 | 25080-K4910 | | | | 01 0498- | | |
| | 21 01 1 | | 13264-41B01 | COVER ASSY-VALVE ROCKER | 3336217 | | 01 0498- | | |
| | 22 01 2 | | 13276-41B01 | SEAL-OIL, ROCKER COVER | 3336215 | | 04 0498- | | |
| | 23 01 1 | | 13270-41B01 | GASKET-ROCKER COVER | 3336216 | | 01 0498- | | |
| | 24 01 1 | | 15255-1P101 | CAP ASSY-OIL FILLER | 3336184 | | 01 0498- | | |
| | 25 01 2 | | 12205-40F00 | PLUG-CRANKSHAFT OIL HOLE | 3336419 | | 02 0498- | | |
| | 26 01 2 | | 11051-31U00 | PLUG-BLIND | 3336458 | | 02 0498- | | |
| | 27 01 2 | | 13058-4M500 | BOLT-CAMSHAFT BRACKET | 3336385 | | 02 0498- | | |
| | 28 01 2 | | 11095-53Y00 | TUBE-SPARK PLUG | 3336451 | | 04 0498- | | |

SEC.117 FAN,COMPRESSOR & POWER STEERING BELT



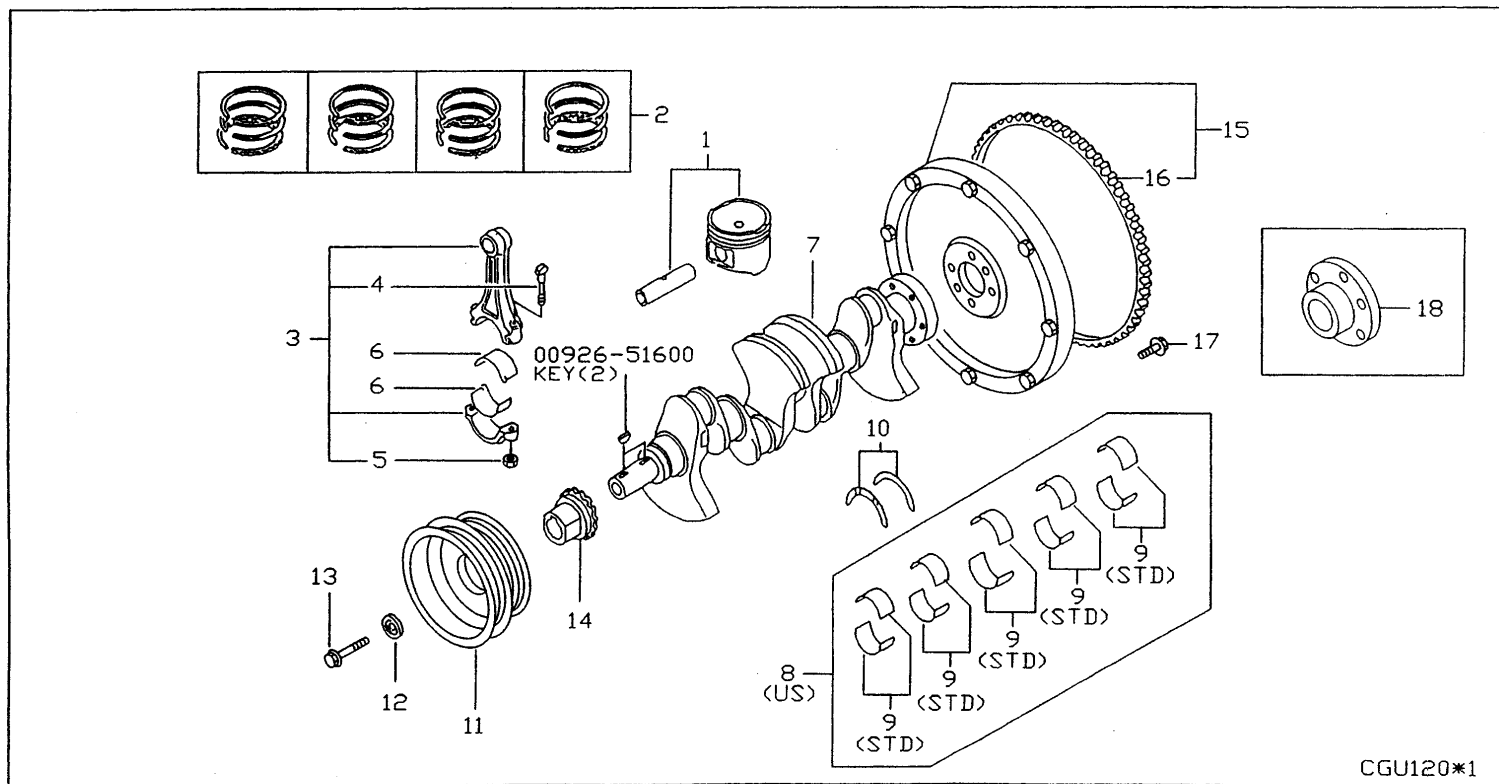
CGU117*1

SEC.118 CRANKCASE VENTILATION



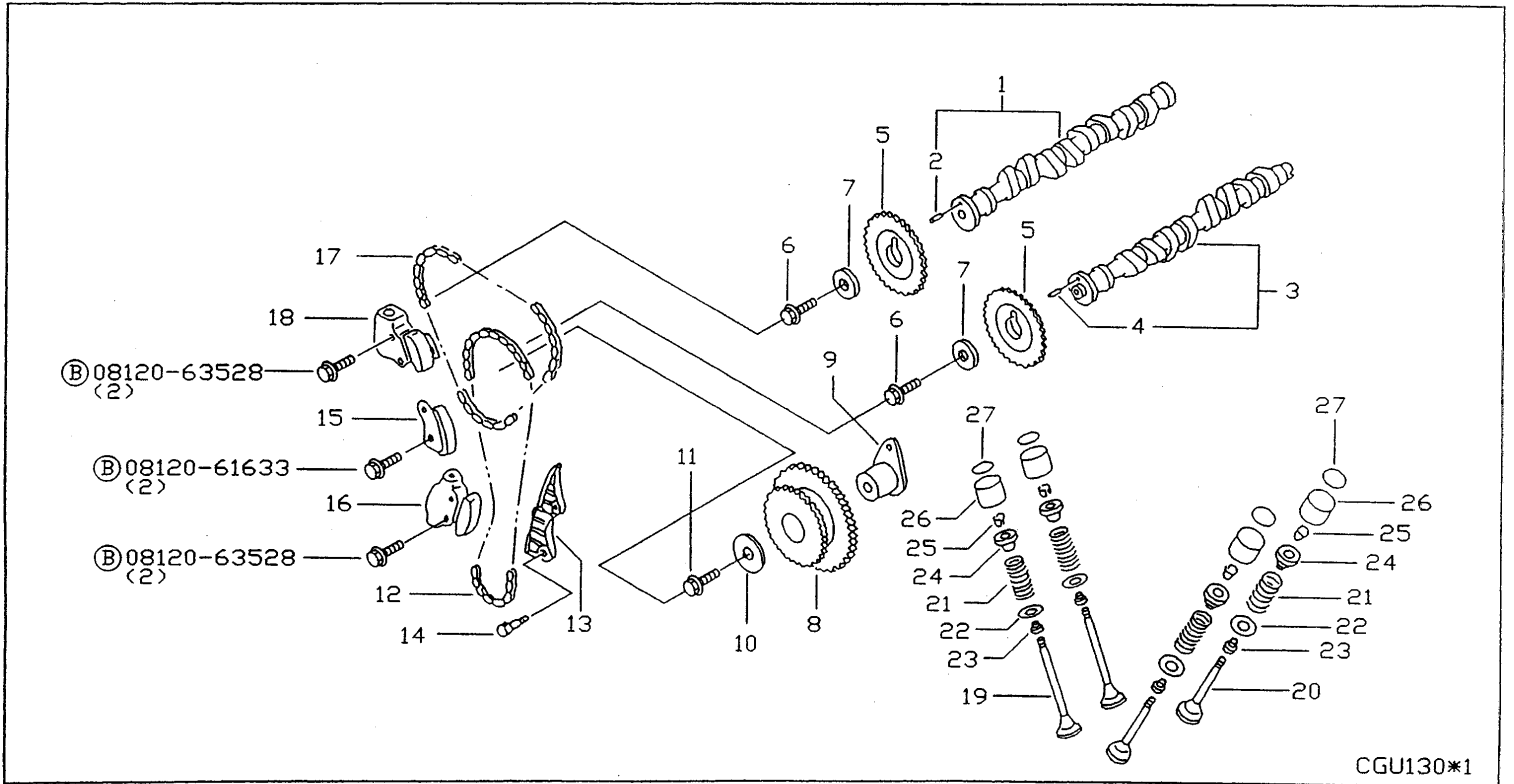
CGU118*1

SEC.120 PISTON,CRANKSHAFT & FLYWHEEL



CGU120*1

SEC.130 CAMSHAFT & VALVE MECHANISM



SEC.130 CAMSHAFT & VALVE MECHANISM

| APPLIED MODEL | | | | | | | | | | | | | | | | | | | | |
|---------------|------|-----|--------|------|-----|--|--|--|--|--|--|--|--|--|--|--|--|--|--|--|
| POCG13 | PUSH | FAN | POCG13 | SUCT | FAN | | | | | | | | | | | | | | | |
| | | | | | | | | | | | | | | | | | | | | |
| | | | | | | | | | | | | | | | | | | | | |
| | | | | | | | | | | | | | | | | | | | | |
| | | | | | | | | | | | | | | | | | | | | |
| | | | | | | | | | | | | | | | | | | | | |
| | | | | | | | | | | | | | | | | | | | | |
| | | | | | | | | | | | | | | | | | | | | |
| | | | | | | | | | | | | | | | | | | | | |
| | | | | | | | | | | | | | | | | | | | | |
| | | | | | | | | | | | | | | | | | | | | |
| | | | | | | | | | | | | | | | | | | | | |
| | | | | | | | | | | | | | | | | | | | | |
| | | | | | | | | | | | | | | | | | | | | |
| | | | | | | | | | | | | | | | | | | | | |
| | | | | | | | | | | | | | | | | | | | | |
| | | | | | | | | | | | | | | | | | | | | |
| | | | | | | | | | | | | | | | | | | | | |
| | | | | | | | | | | | | | | | | | | | | |
| | | | | | | | | | | | | | | | | | | | | |
| | | | | | | | | | | | | | | | | | | | | |
| | | | | | | | | | | | | | | | | | | | | |

| N C | S C | KEY NO. | LEV | PART NO. | PART NAME | SPECIFICATION | QTY | APPLIED DATE | ICAF NF | FORMER PART NO. | K D | APPLIED MODEL | | | | | | | | | | | | | | | | | | | | | | | | | | | |
|--------|--------|---------|-----|----------|-------------|---------------------------|----------------|--------------|------------|-----------------|--------|---------------|----|----|----|----|----|----|----|----|----|----|----|----|----|----|----|----|----|----|----|--|--|--|--|--|--|--|--|
| | | | | | | | | | | | | 01 | 02 | 03 | 04 | 05 | 06 | 07 | 08 | 09 | 10 | 11 | 12 | 13 | 14 | 15 | 16 | 17 | 18 | 19 | 20 | | | | | | | | |
| | | 1 | 01 | 1 | 13020-70W00 | CAMSHAFT ASSY | 3336391 | 01 | 0498- | | | | | | | | | | | | | | | | | | | | | | | | | | | | | | |
| | | 2 | 01 | 2 | 13032-18000 | DOWEL-CAMSHAFT | 3336386 | 01 | 0498- | | | | | | | | | | | | | | | | | | | | | | | | | | | | | | |
| | | 3 | 01 | 1 | 13020-44B10 | CAMSHAFT ASSY | 3336392 | 01 | 0498- | | | | | | | | | | | | | | | | | | | | | | | | | | | | | | |
| | | 4 | 01 | 2 | 13032-18000 | DOWEL-CAMSHAFT | 3336386 | 01 | 0498- | | | | | | | | | | | | | | | | | | | | | | | | | | | | | | |
| | | 5 | 01 | 1 | 13024-41B01 | SPROCKET-CAMSHAFT | 3336389 | 02 | 0498- | | | | | | | | | | | | | | | | | | | | | | | | | | | | | | |
| | | 6 | 01 | 1 | 13012-53Y00 | BOLT-SPROCKET, CAMSHAFT | 3336395 | 02 | 0498- | | | | | | | | | | | | | | | | | | | | | | | | | | | | | | |
| | | 7 | 01 | 1 | 13013-53Y00 | WASHER-PLAIN | 3336394 | 02 | 0498- | | | | | | | | | | | | | | | | | | | | | | | | | | | | | | |
| | | 8 | 01 | 1 | 13077-41B10 | SPROCKET ASSY-IDLER | 3336379 | 01 | 0498- | | | | | | | | | | | | | | | | | | | | | | | | | | | | | | |
| | | 9 | 01 | 1 | 13016-53Y01 | SHAFT-IDLER GEAR | 3336393 | 01 | 0498- | | | | | | | | | | | | | | | | | | | | | | | | | | | | | | |
| | | 10 | 01 | 1 | 13011-53Y01 | PLATE-IDLER GEAR | 3336397 | 01 | 0498- | | | | | | | | | | | | | | | | | | | | | | | | | | | | | | |
| | | 11 | 01 | 1 | 13012-41B00 | BOLT-SPROCKET, CAMSHAFT | 3336396 | 01 | 0498- | | | | | | | | | | | | | | | | | | | | | | | | | | | | | | |
| | | 12 | 01 | 1 | 13028-41B01 | CHAIN-TIMING | 3336388 | 01 | 0498- | | | | | | | | | | | | | | | | | | | | | | | | | | | | | | |
| | | 13 | 01 | 1 | 13085-41B00 | GUIDE-CHAIN, TENSION SIDE | 3336378 | 01 | 0498- | | | | | | | | | | | | | | | | | | | | | | | | | | | | | | |
| | | 14 | 01 | 1 | 13075-53J00 | BOLT-TENSIONER | 3336380 | 02 | 0498- | | | | | | | | | | | | | | | | | | | | | | | | | | | | | | |
| | | 15 | 01 | 1 | 13091-41B00 | GUIDE-CHAIN, SLACK SIDE | 3336377 | 01 | 0498- | | | | | | | | | | | | | | | | | | | | | | | | | | | | | | |
| | | 16 | 01 | 1 | 13070-41B02 | TENSIONER ASSY-CHAIN | 3336382 | 01 | 0498- | | | | | | | | | | | | | | | | | | | | | | | | | | | | | | |
| | | 17 | 01 | 1 | 13028-41B10 | CHAIN-CAMSHAFT | 3336387 | 01 | 0498- | | | | | | | | | | | | | | | | | | | | | | | | | | | | | | |
| | | 18 | 01 | 1 | 13070-53Y13 | TENSIONER ASSY-CHAIN | 3336381 | 01 | 0498- | | | | | | | | | | | | | | | | | | | | | | | | | | | | | | |
| | | 19 | 01 | 1 | 13201-41B00 | VALVE-INTAKE | 3336376 | 08 | 0498- | | | | | | | | | | | | | | | | | | | | | | | | | | | | | | |
| | | 20 | 01 | 1 | 13202-41B00 | VALVE-EXHAUST | 3336375 | 08 | 0498- | | | | | | | | | | | | | | | | | | | | | | | | | | | | | | |
| | | 21 | 01 | 1 | 13203-53Y00 | SPRING-VALVE, OUTER | 3336374 | 16 | 0498- | | | | | | | | | | | | | | | | | | | | | | | | | | | | | | |
| | | | 02 | 1 | 13203-53Y10 | | 3336373 | 16 | 0498- | | | | | | | | | | | | | | | | | | | | | | | | | | | | | | |
| | | 22 | 01 | 1 | 13205-53Y00 | SEAT-VALVE SPRING, OUTER | 3336372 | 16 | 0498- | | | | | | | | | | | | | | | | | | | | | | | | | | | | | | |
| | | 23 | 01 | 1 | 13207-53Y00 | SEAL-OIL, VALVE | NOK 3336371 | 16 | 0498- | | | | | | | | | | | | | | | | | | | | | | | | | | | | | | |
| | | | 02 | 1 | 13207-53Y10 | | NOK 3336370 | 16 | 0498- | | | | | | | | | | | | | | | | | | | | | | | | | | | | | | |
| | | 24 | 01 | 1 | 13209-53Y00 | RETAINER-VALVE SPRING | 3336369 | 16 | 0498- | | | | | | | | | | | | | | | | | | | | | | | | | | | | | | |
| | | 25 | 01 | 1 | 13210-53Y00 | COLLET-VALVE SPRING | 3336368 | 32 | 0498- | | | | | | | | | | | | | | | | | | | | | | | | | | | | | | |
| | | 26 | 01 | 1 | 13231-53Y01 | LIFTER-VALVE | ATUG1 3336219 | 16 | 0498- | | | | | | | | | | | | | | | | | | | | | | | | | | | | | | |
| | | | 02 | 1 | 13231-53Y11 | | RYTHMU 3336218 | 16 | 0498- | | | | | | | | | | | | | | | | | | | | | | | | | | | | | | |
| | | 27 | 01 | 1 | 13229-50Y00 | SHIM-VALVE | T=2.14 3336358 | 16 | 0498- | | | | | | | | | | | | | | | | | | | | | | | | | | | | | | |

SEC.130 CAMSHAFT & VALVE MECHANISM

| | | | | | | | | | | | APPLIED MODEL | | | | | | | | | | | | | | | | | | | | | | | | | |
|-------------|---------|-----|----------|-------------|---------------|---------|--------------|-----------|-----------------|--------|---------------------------------------------------------------|---------------------------------------------------------------|--------------------------|--------------------------|--------------------------|--------------------------|--------------------------|--------------------------|--------------------------|--------------------------|--------------------------|--------------------------|--------------------------|--------------------------|--------------------------|--------------------------|--------------------------|--------------------------|--------------------------|--------------------------|--------------------------|--------------------------|--------------------------|--------------------------|--------------------------|--------------------------|
| N S C | KEY NO. | LEV | PART NO. | PART NAME | SPECIFICATION | QTY | APPLIED DATE | KCA NF | FORMER PART NO. | K D | P O C G 1 3 P U S H F A N | P O C G 1 3 S U C T F A N | 01 | 02 | 03 | 04 | 05 | 06 | 07 | 08 | 09 | 10 | 11 | 12 | 13 | 14 | 15 | 16 | 17 | 18 | 19 | 20 | | | | |
| | | | | | | | | | | | | | <input type="checkbox"/> | <input type="checkbox"/> | <input type="checkbox"/> | <input type="checkbox"/> | <input type="checkbox"/> | <input type="checkbox"/> | <input type="checkbox"/> | <input type="checkbox"/> | <input type="checkbox"/> | <input type="checkbox"/> | <input type="checkbox"/> | <input type="checkbox"/> | <input type="checkbox"/> | <input type="checkbox"/> | <input type="checkbox"/> | <input type="checkbox"/> | <input type="checkbox"/> | <input type="checkbox"/> | <input type="checkbox"/> | <input type="checkbox"/> | <input type="checkbox"/> | <input type="checkbox"/> | <input type="checkbox"/> | <input type="checkbox"/> |
| | 27 | 02 | 1 | 13229-53Y00 | SHIM-VALVE | 3336308 | T=2.14 | | | | | | <input type="checkbox"/> | <input type="checkbox"/> | | | | | | | | | | | | | | | | | | | | | | |
| | | 03 | 1 | 13229-50Y01 | | 3336357 | T=2.16 | | | | | | <input type="checkbox"/> | <input type="checkbox"/> | | | | | | | | | | | | | | | | | | | | | | |
| | | 04 | 1 | 13229-53Y01 | | 3336307 | T=2.16 | | | | | | <input type="checkbox"/> | <input type="checkbox"/> | | | | | | | | | | | | | | | | | | | | | | |
| | | 05 | 1 | 13229-50Y02 | | 3336356 | T=2.18 | | | | | | <input type="checkbox"/> | <input type="checkbox"/> | | | | | | | | | | | | | | | | | | | | | | |
| | | 06 | 1 | 13229-53Y02 | | 3336306 | T=2.18 | | | | | | <input type="checkbox"/> | <input type="checkbox"/> | | | | | | | | | | | | | | | | | | | | | | |
| | | 07 | 1 | 13229-50Y03 | | 3336355 | T=2.20 | | | | | | <input type="checkbox"/> | <input type="checkbox"/> | | | | | | | | | | | | | | | | | | | | | | |
| | | 08 | 1 | 13229-53Y03 | | 3336305 | T=2.20 | | | | | | <input type="checkbox"/> | <input type="checkbox"/> | | | | | | | | | | | | | | | | | | | | | | |
| | | 09 | 1 | 13229-50Y04 | | 3336354 | T=2.22 | | | | | | <input type="checkbox"/> | <input type="checkbox"/> | | | | | | | | | | | | | | | | | | | | | | |
| | | 10 | 1 | 13229-53Y04 | | 3336304 | T=2.22 | | | | | | <input type="checkbox"/> | <input type="checkbox"/> | | | | | | | | | | | | | | | | | | | | | | |
| | | 11 | 1 | 13229-50Y05 | | 3336353 | T=2.24 | | | | | | <input type="checkbox"/> | <input type="checkbox"/> | | | | | | | | | | | | | | | | | | | | | | |
| | | 12 | 1 | 13229-53Y05 | | 3336303 | T=2.24 | | | | | | <input type="checkbox"/> | <input type="checkbox"/> | | | | | | | | | | | | | | | | | | | | | | |
| | | 13 | 1 | 13229-50Y06 | | 3336352 | T=2.26 | | | | | | <input type="checkbox"/> | <input type="checkbox"/> | | | | | | | | | | | | | | | | | | | | | | |
| | | 14 | 1 | 13229-53Y06 | | 3336302 | T=2.26 | | | | | | <input type="checkbox"/> | <input type="checkbox"/> | | | | | | | | | | | | | | | | | | | | | | |
| | | 15 | 1 | 13229-50Y07 | | 3336351 | T=2.28 | | | | | | <input type="checkbox"/> | <input type="checkbox"/> | | | | | | | | | | | | | | | | | | | | | | |
| | | 16 | 1 | 13229-53Y07 | | 3336301 | T=2.28 | | | | | | <input type="checkbox"/> | <input type="checkbox"/> | | | | | | | | | | | | | | | | | | | | | | |
| | | 17 | 1 | 13229-50Y08 | | 3336350 | T=2.30 | | | | | | <input type="checkbox"/> | <input type="checkbox"/> | | | | | | | | | | | | | | | | | | | | | | |
| | | 18 | 1 | 13229-53Y08 | | 3336300 | T=2.30 | | | | | | <input type="checkbox"/> | <input type="checkbox"/> | | | | | | | | | | | | | | | | | | | | | | |
| | | 19 | 1 | 13229-50Y09 | | 3336349 | T=2.32 | | | | | | <input type="checkbox"/> | <input type="checkbox"/> | | | | | | | | | | | | | | | | | | | | | | |
| | | 20 | 1 | 13229-53Y09 | | 3336299 | T=2.32 | | | | | | <input type="checkbox"/> | <input type="checkbox"/> | | | | | | | | | | | | | | | | | | | | | | |
| | | 21 | 1 | 13229-50Y10 | | 3336348 | T=2.34 | | | | | | <input type="checkbox"/> | <input type="checkbox"/> | | | | | | | | | | | | | | | | | | | | | | |
| | | 22 | 1 | 13229-53Y10 | | 3336298 | T=2.34 | | | | | | <input type="checkbox"/> | <input type="checkbox"/> | | | | | | | | | | | | | | | | | | | | | | |
| | | 23 | 1 | 13229-50Y11 | | 3336347 | T=2.36 | | | | | | <input type="checkbox"/> | <input type="checkbox"/> | | | | | | | | | | | | | | | | | | | | | | |
| | | 24 | 1 | 13229-53Y11 | | 3336297 | T=2.36 | | | | | | <input type="checkbox"/> | <input type="checkbox"/> | | | | | | | | | | | | | | | | | | | | | | |
| | | 25 | 1 | 13229-50Y12 | | 3336346 | T=2.38 | | | | | | <input type="checkbox"/> | <input type="checkbox"/> | | | | | | | | | | | | | | | | | | | | | | |
| | | 26 | 1 | 13229-53Y12 | | 3336296 | T=2.38 | | | | | | <input type="checkbox"/> | <input type="checkbox"/> | | | | | | | | | | | | | | | | | | | | | | |
| | | 27 | 1 | 13229-50Y13 | | 3336345 | T=2.40 | | | | | | <input type="checkbox"/> | <input type="checkbox"/> | | | | | | | | | | | | | | | | | | | | | | |
| | | 28 | 1 | 13229-53Y13 | | 3336295 | T=2.40 | | | | | | <input type="checkbox"/> | <input type="checkbox"/> | | | | | | | | | | | | | | | | | | | | | | |
| | | 29 | 1 | 13229-50Y14 | | 3336344 | T=2.42 | | | | | | <input type="checkbox"/> | <input type="checkbox"/> | | | | | | | | | | | | | | | | | | | | | | |
| | | 30 | 1 | 13229-53Y14 | | 3336294 | T=2.42 | | | | | | <input type="checkbox"/> | <input type="checkbox"/> | | | | | | | | | | | | | | | | | | | | | | |
| | | 31 | 1 | 13229-50Y15 | | 3336345 | T=2.44 | | | | | | <input type="checkbox"/> | <input type="checkbox"/> | | | | | | | | | | | | | | | | | | | | | | |

SEC.130 CAMSHAFT & VALVE MECHANISM

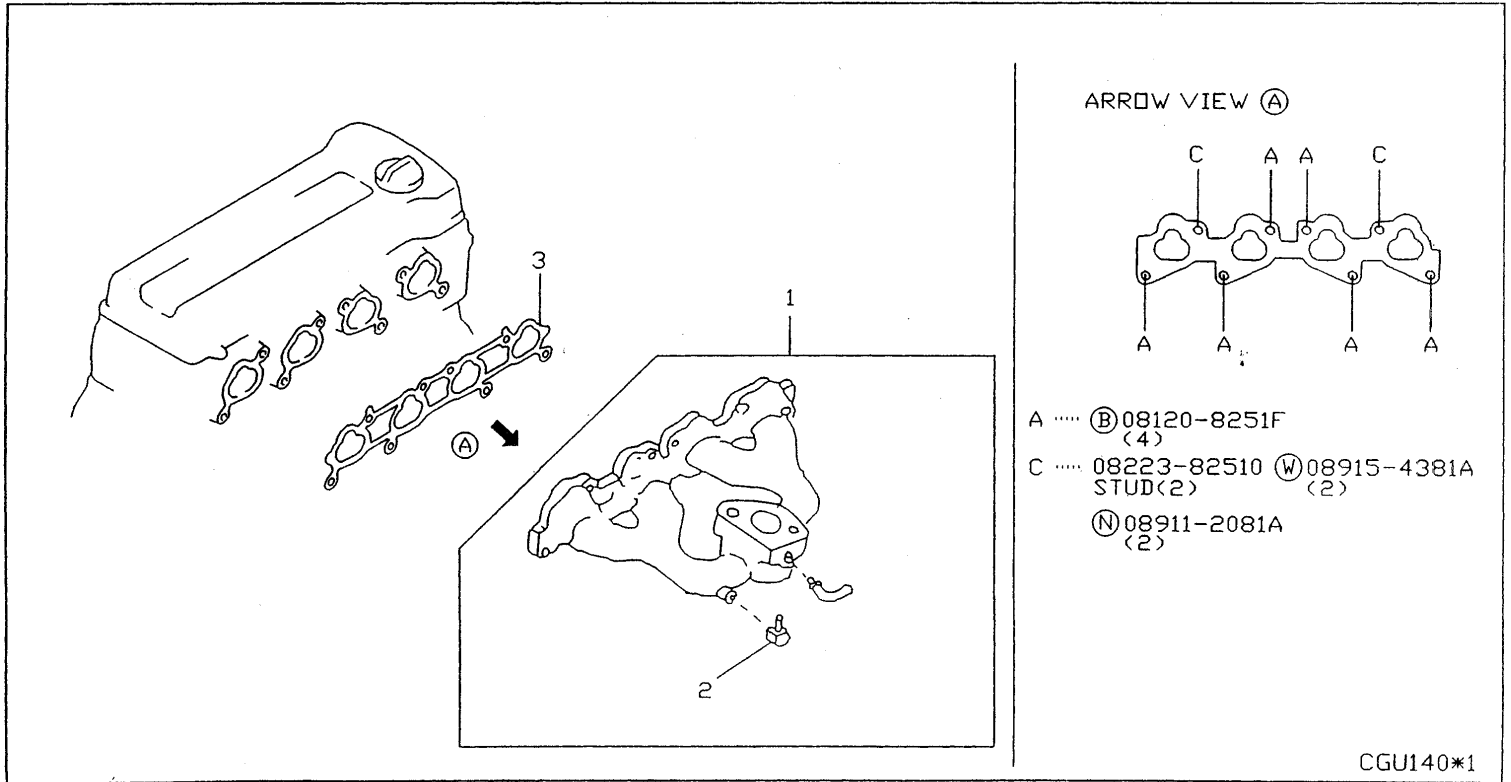
| APPLIED MODEL | | | | | | | | | | | | | | | | | | | | |
|---------------------------------|---------------------------------|---------------------------------|---------------------------------|------------|---------|--------|----|-------|----|----|----|----|----|----|----|----|----|----|----|----|
| P 0 C C 0 1 3 | P U S H F A N | P 0 C C 0 1 3 | S U C T F A N | | | | | | | | | | | | | | | | | |
| D | 01 | 02 | 03 | 04 | 05 | 06 | 07 | 08 | 09 | 10 | 11 | 12 | 13 | 14 | 15 | 16 | 17 | 18 | 19 | 20 |
| 27 | 62 | 1 | 13229-53Y65 | SHIM-VALVE | 3336278 | T=2.74 | 16 | 0498- | | | | | | | | | | | | |
| | 63 | 1 | 13229-50Y66 | | 3336327 | T=2.78 | 16 | 0498- | | | | | | | | | | | | |
| | 64 | 1 | 13229-53Y66 | | 3336277 | T=2.76 | 16 | 0498- | | | | | | | | | | | | |
| | 65 | 1 | 13229-50Y67 | | 3336326 | T=2.78 | 16 | 0498- | | | | | | | | | | | | |
| | 66 | 1 | 13229-53Y67 | | 3336276 | T=2.78 | 16 | 0498- | | | | | | | | | | | | |
| | 67 | 1 | 13229-50Y68 | | 3336325 | T=2.80 | 16 | 0498- | | | | | | | | | | | | |
| | 68 | 1 | 13229-53Y68 | | 3336275 | T=2.80 | 16 | 0498- | | | | | | | | | | | | |
| | 69 | 1 | 13229-50Y69 | | 3336324 | T=2.82 | 16 | 0498- | | | | | | | | | | | | |
| | 70 | 1 | 13229-53Y69 | | 3336274 | T=2.82 | 16 | 0498- | | | | | | | | | | | | |
| | 71 | 1 | 13229-50Y70 | | 3336323 | T=2.84 | 16 | 0498- | | | | | | | | | | | | |
| | 72 | 1 | 13229-53Y70 | | 3336273 | T=2.84 | 16 | 0498- | | | | | | | | | | | | |
| | 73 | 1 | 13229-50Y71 | | 3336322 | T=2.86 | 16 | 0498- | | | | | | | | | | | | |
| | 74 | 1 | 13229-53Y71 | | 3336272 | T=2.86 | 16 | 0498- | | | | | | | | | | | | |
| | 75 | 1 | 13229-50Y72 | | 3336321 | T=2.88 | 16 | 0498- | | | | | | | | | | | | |
| | 76 | 1 | 13229-53Y72 | | 3336271 | T=2.88 | 16 | 0498- | | | | | | | | | | | | |
| | 77 | 1 | 13229-50Y73 | | 3336320 | T=2.90 | 16 | 0498- | | | | | | | | | | | | |
| | 78 | 1 | 13229-53Y73 | | 3336270 | T=2.90 | 16 | 0498- | | | | | | | | | | | | |
| | 79 | 1 | 13229-50Y74 | | 3336319 | T=2.92 | 16 | 0498- | | | | | | | | | | | | |
| | 80 | 1 | 13229-53Y74 | | 3336269 | T=2.92 | 16 | 0498- | | | | | | | | | | | | |
| | 81 | 1 | 13229-50Y75 | | 3336318 | T=2.94 | 16 | 0498- | | | | | | | | | | | | |
| | 82 | 1 | 13229-53Y75 | | 3336268 | T=2.94 | 16 | 0498- | | | | | | | | | | | | |
| | 83 | 1 | 13229-50Y76 | | 3336317 | T=2.96 | 16 | 0498- | | | | | | | | | | | | |
| | 84 | 1 | 13229-53Y76 | | 3336267 | T=2.96 | 16 | 0498- | | | | | | | | | | | | |
| | 85 | 1 | 13229-50Y77 | | 3336316 | T=2.98 | 16 | 0498- | | | | | | | | | | | | |
| | 86 | 1 | 13229-53Y77 | | 3336266 | T=2.98 | 16 | 0498- | | | | | | | | | | | | |
| | 87 | 1 | 13229-50C00 | | 3336365 | T=2.00 | 16 | 0498- | | | | | | | | | | | | |
| | 88 | 1 | 13229-53C00 | | 3336315 | T=2.00 | 16 | 0498- | | | | | | | | | | | | |
| | 89 | 1 | 13229-50C01 | | | T=2.02 | 16 | 0498- | | | | | | | | | | | | |
| | 90 | 1 | 13229-53C01 | | 3336314 | T=2.02 | 16 | 0498- | | | | | | | | | | | | |
| | 91 | 1 | 13229-50C02 | | 3336363 | T=2.04 | 16 | 0498- | | | | | | | | | | | | |

SEC.130 CAMSHAFT & VALVE MECHANISM

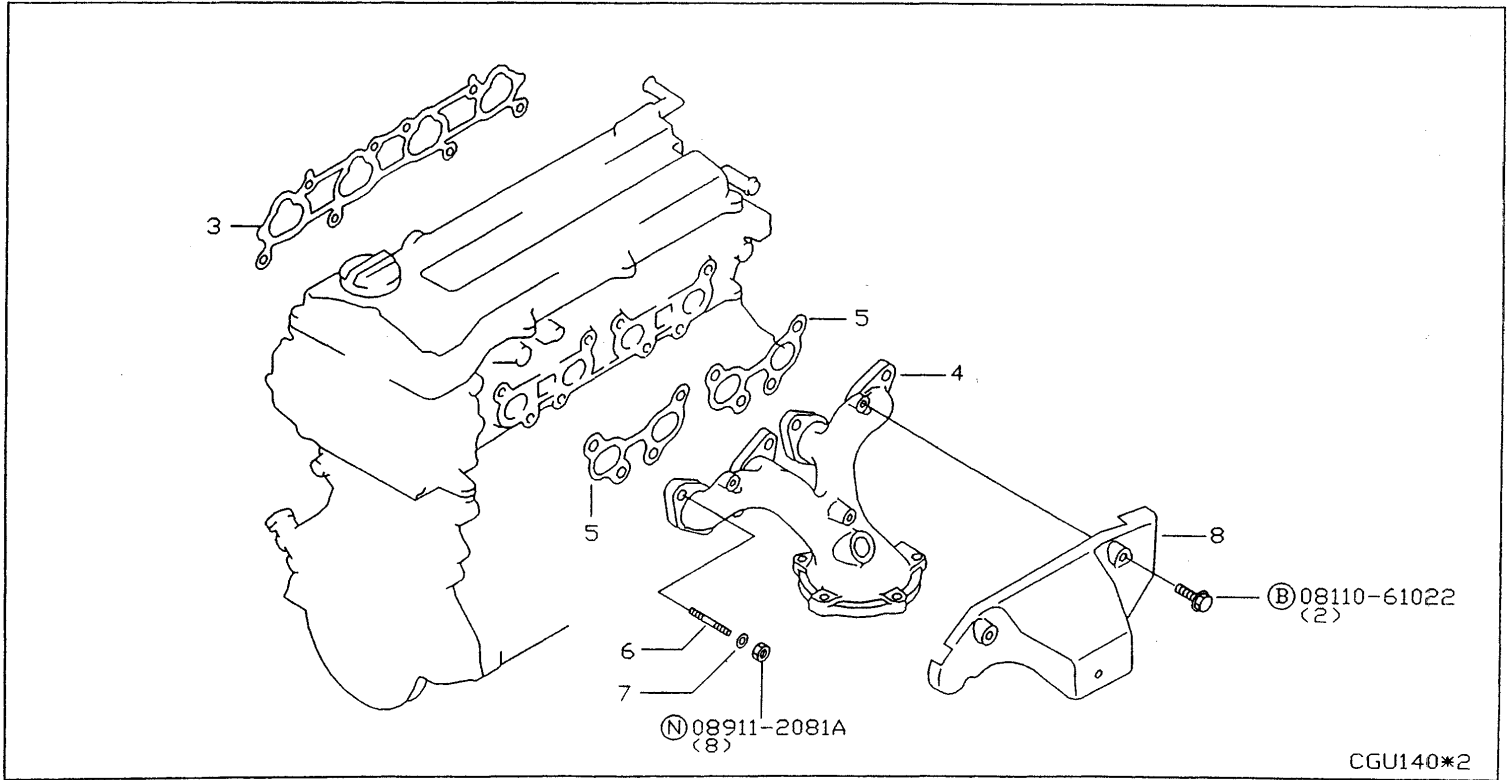
| APPLIED MODEL | | | | | | | | | | | | | | | | | | | |
|---------------|---|--|--|--|--|--|--|--|--|--|--|--|--|--|--|--|--|--|--|
| P | P | | | | | | | | | | | | | | | | | | |
| O | O | | | | | | | | | | | | | | | | | | |
| C | C | | | | | | | | | | | | | | | | | | |
| G | S | | | | | | | | | | | | | | | | | | |
| I | U | | | | | | | | | | | | | | | | | | |
| 3 | C | | | | | | | | | | | | | | | | | | |
| P | T | | | | | | | | | | | | | | | | | | |
| D | F | | | | | | | | | | | | | | | | | | |
| S | A | | | | | | | | | | | | | | | | | | |
| H | N | | | | | | | | | | | | | | | | | | |
| F | | | | | | | | | | | | | | | | | | | |
| A | | | | | | | | | | | | | | | | | | | |
| N | | | | | | | | | | | | | | | | | | | |

| IN C | KEY NO. | LEV | PART NO. | PART NAME | SPECIFICATION | QTY | APPLIED DATE | CA N° | FORMER PART NO. | K | D | 01 | 02 | 03 | 04 | 05 | 06 | 07 | 08 | 09 | 10 | 11 | 12 | 13 | 14 | 15 | 16 | 17 | 18 | 19 | 20 | |
|---------|---------|-----|-------------|------------|---------------|-----|--------------|----------|-----------------|---|---|----|----|----|----|----|----|----|----|----|----|----|----|----|----|----|----|----|----|----|----|--|
| | 27 | 92 | 13229-53C02 | SHIM-VALVE | 3336313 | | T=2.04 | | 16 0498- | | | | | | | | | | | | | | | | | | | | | | | |
| | 93 | 1 | 13229-50C03 | | 3336312 | | T=2.06 | | 16 0498- | | | | | | | | | | | | | | | | | | | | | | | |
| | 94 | 1 | 13229-53C03 | | 3336312 | | T=2.06 | | 16 0498- | | | | | | | | | | | | | | | | | | | | | | | |
| | 95 | 1 | 13229-50C04 | | 3336301 | | T=2.08 | | 16 0498- | | | | | | | | | | | | | | | | | | | | | | | |
| | 96 | 1 | 13229-53C04 | | 3336311 | | T=2.08 | | 16 0498- | | | | | | | | | | | | | | | | | | | | | | | |
| | 97 | 1 | 13229-50C05 | | 3336360 | | T=2.10 | | 16 0498- | | | | | | | | | | | | | | | | | | | | | | | |
| | 98 | 1 | 13229-53C05 | | 3336310 | | T=2.10 | | 16 0498- | | | | | | | | | | | | | | | | | | | | | | | |
| | 99 | 1 | 13229-50C06 | | 3336359 | | T=2.12 | | 16 0498- | | | | | | | | | | | | | | | | | | | | | | | |
| | 100 | 1 | 13229-53C06 | | 3336309 | | T=2.12 | | 16 0498- | | | | | | | | | | | | | | | | | | | | | | | |
| | 101 | 1 | 13229-72Y00 | | 3336265 | | T=2.21 | | 16 0498- | | | | | | | | | | | | | | | | | | | | | | | |
| | 102 | 1 | 13229-73Y00 | | 3336242 | | T=2.21 | | 16 0498- | | | | | | | | | | | | | | | | | | | | | | | |
| | 103 | 1 | 13229-72Y01 | | 3336264 | | T=2.23 | | 16 0498- | | | | | | | | | | | | | | | | | | | | | | | |
| | 104 | 1 | 13229-73Y01 | | 3336241 | | T=2.23 | | 16 0498- | | | | | | | | | | | | | | | | | | | | | | | |
| | 105 | 1 | 13229-72Y02 | | 3336263 | | T=2.25 | | 16 0498- | | | | | | | | | | | | | | | | | | | | | | | |
| | 106 | 1 | 13229-73Y02 | | 3336240 | | T=2.25 | | 16 0498- | | | | | | | | | | | | | | | | | | | | | | | |
| | 107 | 1 | 13229-72Y03 | | 3336262 | | T=2.27 | | 16 0498- | | | | | | | | | | | | | | | | | | | | | | | |
| | 108 | 1 | 13229-73Y03 | | 3336239 | | T=2.27 | | 16 0498- | | | | | | | | | | | | | | | | | | | | | | | |
| | 109 | 1 | 13229-72Y04 | | 3336261 | | T=2.29 | | 16 0498- | | | | | | | | | | | | | | | | | | | | | | | |
| | 110 | 1 | 13229-73Y04 | | 3336238 | | T=2.29 | | 16 0498- | | | | | | | | | | | | | | | | | | | | | | | |
| | 111 | 1 | 13229-72Y05 | | 3336260 | | T=2.31 | | 16 0498- | | | | | | | | | | | | | | | | | | | | | | | |
| | 112 | 1 | 13229-73Y05 | | 3336237 | | T=2.31 | | 16 0498- | | | | | | | | | | | | | | | | | | | | | | | |
| | 113 | 1 | 13229-72Y06 | | 3336239 | | T=2.33 | | 16 0498- | | | | | | | | | | | | | | | | | | | | | | | |
| | 114 | 1 | 13229-73Y06 | | 3336236 | | T=2.33 | | 16 0498- | | | | | | | | | | | | | | | | | | | | | | | |
| | 115 | 1 | 13229-72Y07 | | 3336238 | | T=2.35 | | 16 0498- | | | | | | | | | | | | | | | | | | | | | | | |
| | 116 | 1 | 13229-73Y07 | | 3336235 | | T=2.35 | | 16 0498- | | | | | | | | | | | | | | | | | | | | | | | |
| | 117 | 1 | 13229-72Y08 | | 3336257 | | T=2.37 | | 16 0498- | | | | | | | | | | | | | | | | | | | | | | | |
| | 118 | 1 | 13229-73Y08 | | 3336234 | | T=2.37 | | 16 0498- | | | | | | | | | | | | | | | | | | | | | | | |
| | 119 | 1 | 13229-72Y09 | | 3336256 | | T=2.39 | | 16 0498- | | | | | | | | | | | | | | | | | | | | | | | |
| | 120 | 1 | 13229-73Y09 | | 3336233 | | T=2.39 | | 16 0498- | | | | | | | | | | | | | | | | | | | | | | | |
| | 121 | 1 | 13229-72Y10 | | 3336255 | | T=2.41 | | 16 0498- | | | | | | | | | | | | | | | | | | | | | | | |

SEC.140 MANIFOLD



SEC.140 MANIFOLD



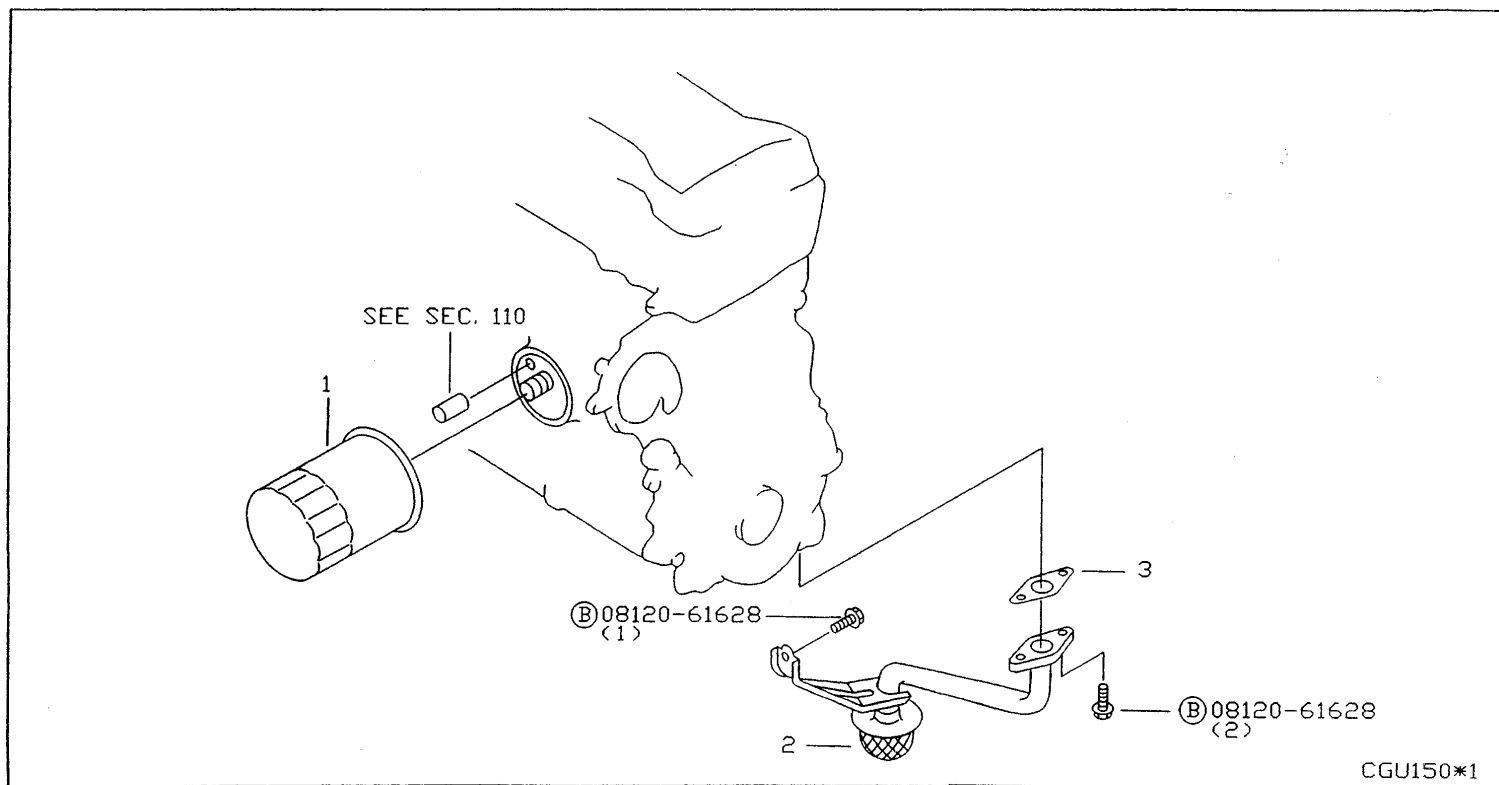
140-2

CGU140*2

SEC.140 MANIFOLD

| N | S | KEY NO. | L | E | PART NO. | PART NAME | SPECIFICATION | QTY | APPLIED DATE | I | C | A | FORMER PART NO. | K | APPLIED MODEL | | | | | | | | | | | | | | | | | | | | | | | | | | |
|---|---|---------|---|---|-------------|----------------------------|---------------|-----|--------------|---|---|---|-----------------|---|---------------|----|----|----|----|----|----|----|----|----|----|----|----|----|----|----|----|----|----|----|----|--|--|--|--|--|--|
| | | | | | | | | | | | | | | | D | 01 | 02 | 03 | 04 | 05 | 06 | 07 | 08 | 09 | 10 | 11 | 12 | 13 | 14 | 15 | 16 | 17 | 18 | 19 | 20 | | | | | | |
| | | 1 01 1 | | | 14001-70W01 | MANIFOLD-INTAKE | 3336211 | | 01 0498- | | | | | | | | | | | | | | | | | | | | | | | | | | | | | | | | |
| | | 2 01 2 | | | 14875-H1900 | CONNECTOR-BYPASS | 3336195 | | 01 0498- | | | | | | | | | | | | | | | | | | | | | | | | | | | | | | | | |
| | | 3 01 1 | | | 14035-41B10 | GASKET-MANIFOLD | 3336209 | | 01 0498- | | | | | | | | | | | | | | | | | | | | | | | | | | | | | | | | |
| | | 4 01 1 | | | 14004-73W00 | MANIFOLD-EXHAUST | 3336210 | | 01 0498- | | | | | | | | | | | | | | | | | | | | | | | | | | | | | | | | |
| | | 5 01 1 | | | 14036-41B01 | GASKET-EXHAUST MANIFOLD, A | 3336208 | | 02 0498- | | | | | | | | | | | | | | | | | | | | | | | | | | | | | | | | |
| | | 6 01 1 | | | 14064-0M300 | STUD | 3336199 | | 08 0498- | | | | | | | | | | | | | | | | | | | | | | | | | | | | | | | | |
| | | 02 1 | | | 14070-53Y00 | | 3336198 | | 03 0498- | | | | | | | | | | | | | | | | | | | | | | | | | | | | | | | | |
| | | 7 01 1 | | | 14037-41B00 | YOKE-MANIFOLD | 3336207 | | 08 0498- | | | | | | | | | | | | | | | | | | | | | | | | | | | | | | | | |
| | | 8 01 1 | | | 16590-73W00 | COVER-EXH MANIFOLD | 3336179 | | 01 0498- | | | | | | | | | | | | | | | | | | | | | | | | | | | | | | | | |

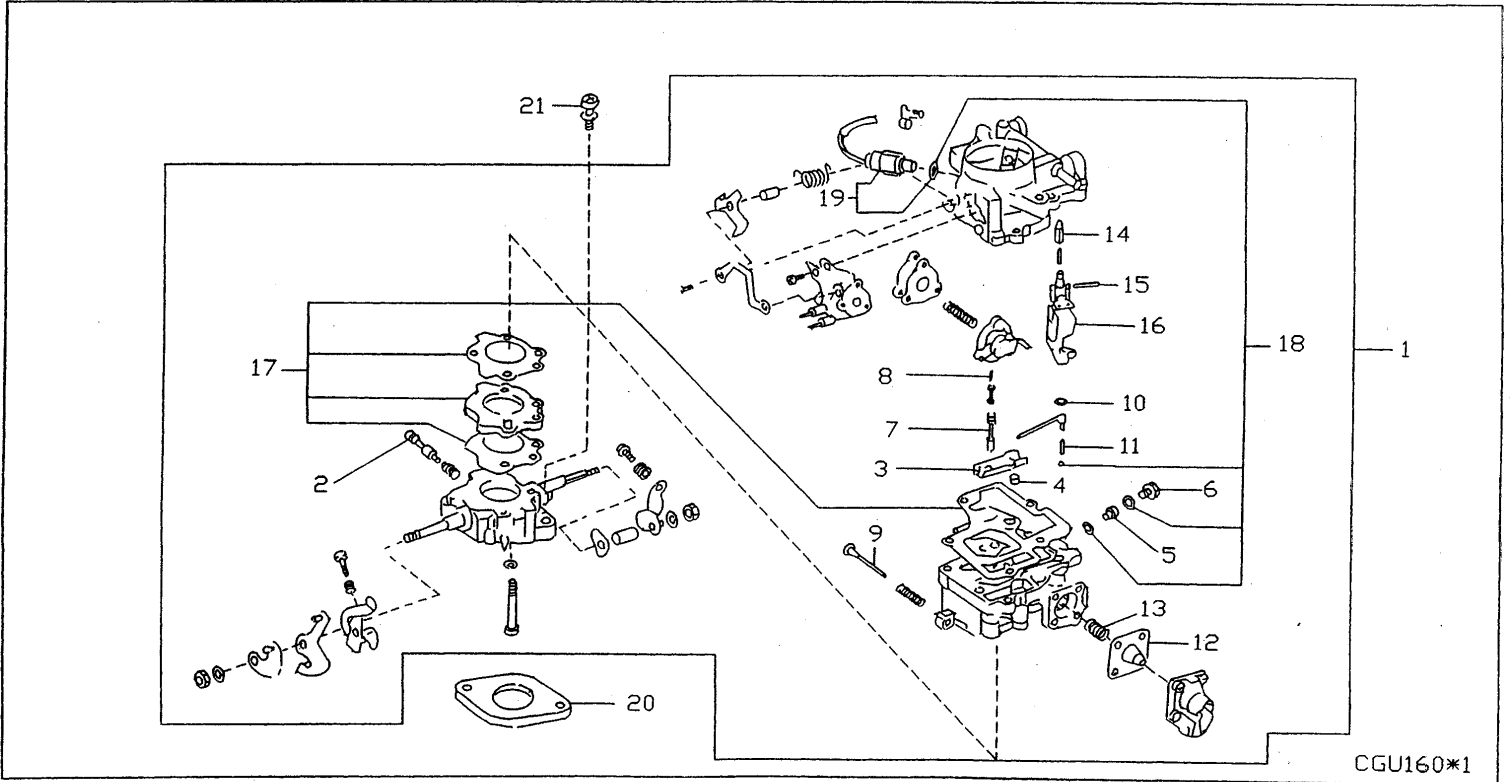
SEC.150 LUBRICATING SYSTEM



SEC.150 LUBRICATING SYSTEM

| N S C | KEY NO. | LEV | PART NO. | PART NAME | SPECIFICATION | QTY | APPLIED DATE | CA NF | FORMER PART NO. | K D | APPLIED MODEL | | | | | | | | | | | | | | | | | | | | | | | | | | | | | | | |
|-------------|---------|-----|-------------|---------------------|---------------|-----|--------------|----------|-----------------|--------|----------------------------|------------------|-------------|-------------|------------------|-------------|----|----|----|----|----|----|----|----|----|----|----|----|----|----|----|----|----|----|----|----|--|--|--|--|--|--|
| | | | | | | | | | | | P 0 C G 1 3 | P U S H | F A N | F A N | S U C T | F A N | 01 | 02 | 03 | 04 | 05 | 06 | 07 | 08 | 09 | 10 | 11 | 12 | 13 | 14 | 15 | 16 | 17 | 18 | 19 | 20 | | | | | | |
| | 1 | 01 | 15208-53J00 | FILTER ASSY-OIL | 3336187 | 01 | 0498- | | | | | | | | | | | | | | | | | | | | | | | | | | | | | | | | | | | |
| | 2 | 01 | 15050-41B00 | STRAINER ASSY-OIL | 3336191 | 01 | 0498- | | | | | | | | | | | | | | | | | | | | | | | | | | | | | | | | | | | |
| | 3 | 01 | 15053-41B00 | GASKET-OIL STRAINER | 3336190 | 01 | 0498- | | | | | | | | | | | | | | | | | | | | | | | | | | | | | | | | | | | |

SEC.160 CARBURETOR



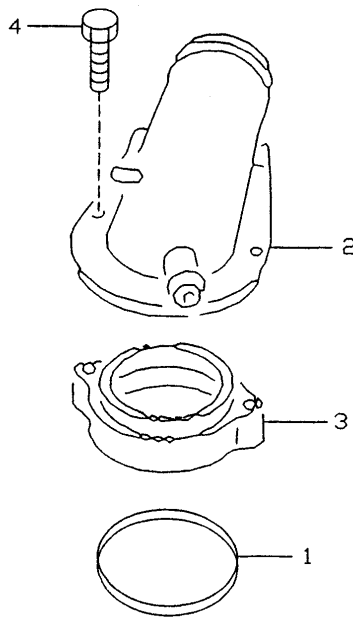
160-1

CGU160*1

SEC.160 CARBURETOR

| APPLIED MODEL | | | | | | | | | | | | | | | | | | | | | | | | | | | | | | | |
|----------------------------|----------------------------|------------------|-------------|----------|-------------|-------------------------|-----|--------------|----------|-----------------|--------|----|----|----|----|----|----|----|----|----|----|----|----|----|----|----|----|----|----|----|----|
| P O C G 1 3 | P O C G 1 3 | | | | | | | | | | | | | | | | | | | | | | | | | | | | | | |
| | | P U S H | F A N | | | | | | | | | | | | | | | | | | | | | | | | | | | | |
| N S C | | KEYNO. | LEV. | PART NO. | PART NAME | SPECIFICATION | QTY | APPLIED DATE | CA NF | FORMER PART NO. | K D | 01 | 02 | 03 | 04 | 05 | 06 | 07 | 08 | 09 | 10 | 11 | 12 | 13 | 14 | 15 | 16 | 17 | 18 | 19 | 20 |
| | | 1 | 01 | 1 | 16010-72W11 | CARBURETOR ASSY | | 01 | 0498- | | | ○ | ○ | | | | | | | | | | | | | | | | | | |
| | | 2 | 01 | 2 | 16144-70W00 | SCREW-ADJUST, IDLE | | 01 | 0498- | | | ○ | ○ | | | | | | | | | | | | | | | | | | |
| | | 3 | 01 | 2 | 16331-70W00 | COMPENSATOR-IDLE | | 01 | 0498- | | | ○ | ○ | | | | | | | | | | | | | | | | | | |
| | | 4 | 01 | 2 | 17160-70W00 | BRACKET-FUEL PUMP | | 01 | 0498- | | | ○ | ○ | | | | | | | | | | | | | | | | | | |
| | | 5 | 01 | 2 | 16033-70W00 | JET-MAIN | | 01 | 0498- | | | ○ | ○ | | | | | | | | | | | | | | | | | | |
| | | 6 | 01 | 2 | 16272-70W00 | COVER-PLATE | | 01 | 0498- | | | ○ | ○ | | | | | | | | | | | | | | | | | | |
| | | 7 | 01 | 2 | 16055-70W00 | JET-SLOW | | 01 | 0498- | | | ○ | ○ | | | | | | | | | | | | | | | | | | |
| | | 8 | 01 | 2 | 16148-70W01 | SPRING-RETURN, PISTON | | 01 | 0498- | | | ○ | ○ | | | | | | | | | | | | | | | | | | |
| | | 9 | 01 | 2 | 16145-70W00 | SPRING-SCREW, ADJUST | | 01 | 0498- | | | ○ | ○ | | | | | | | | | | | | | | | | | | |
| | | 10 | 01 | 2 | 17160-70W01 | O RING | | 01 | 0498- | | | ○ | ○ | | | | | | | | | | | | | | | | | | |
| | | 11 | 01 | 2 | 16069-70W00 | ORIFICE-OUTER VENT | | 01 | 0498- | | | ○ | ○ | | | | | | | | | | | | | | | | | | |
| | | 12 | 01 | 2 | 16151-70W00 | PISTON | | 01 | 0498- | | | ○ | ○ | | | | | | | | | | | | | | | | | | |
| | | 13 | 01 | 2 | 16148-70W00 | SPRING-RETURN, PISTON | | 01 | 0498- | | | ○ | ○ | | | | | | | | | | | | | | | | | | |
| | | 14 | 01 | 2 | 16101-70W00 | VALVE-NEEDLE | | 01 | 0498- | | | ○ | ○ | | | | | | | | | | | | | | | | | | |
| | | 15 | 01 | 2 | 16066-70W00 | SHAFT-FLOAT | | 01 | 0498- | | | ○ | ○ | | | | | | | | | | | | | | | | | | |
| | | 16 | 01 | 2 | 16061-70W00 | FLOAT | | 01 | 0498- | | | ○ | ○ | | | | | | | | | | | | | | | | | | |
| | | 17 | 01 | 2 | 16455-70W00 | GASKET KIT | | 01 | 0498- | | | ○ | ○ | | | | | | | | | | | | | | | | | | |
| | | 18 | 01 | 2 | 16475-70W01 | SCREW & WASHER KIT-B | | 01 | 0498- | | | ○ | ○ | | | | | | | | | | | | | | | | | | |
| | | 19 | 01 | 2 | 16176-70W00 | VALVE KIT-SOL | | 01 | 0498- | | | ○ | ○ | | | | | | | | | | | | | | | | | | |
| | | 20 | 01 | 1 | 16174-70W10 | GASKET-GOVERNOR TO CARB | | 01 | 0498- | | | ○ | ○ | | | | | | | | | | | | | | | | | | |
| | | 21 | 01 | 1 | 16163-10V02 | BOLT | | 02 | 0498- | | | ○ | ○ | | | | | | | | | | | | | | | | | | |

SEC.165 AIR CLEANER



CGU165*1

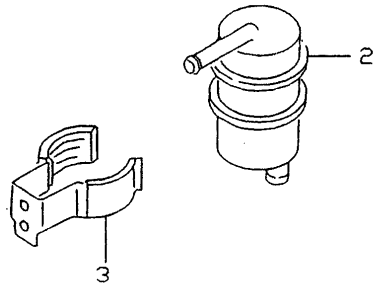
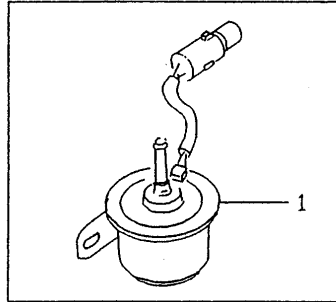
165-1

SEC.165 AIR CLEANER

| APPLIED MODEL | | | | | | | | | | | | | | | | | | | | |
|---------------|-------|--|--|--|--|--|--|--|--|--|--|--|--|--|--|--|--|--|--|--|
| POC13 | POC13 | | | | | | | | | | | | | | | | | | | |
| PUSH | SUCT | | | | | | | | | | | | | | | | | | | |

| N S C | KEY NO. | L E V | PART NO. | PART NAME | SPECIFICATION | QTY | APPLIED DATE | ICA NF | FORMER PART NO. | K | APPLIED MODEL | | | | | | | | | | | | | | | | | | | | | | | | | | | | | | | |
|-------------|---------|-------------|-------------|-----------------|---------------|-----|--------------|--------|-----------------|---|-----------------------|-----------------------|----|----|----|----|----|----|----|----|----|----|----|----|----|----|----|----|----|----|----|--|--|--|--|--|--|--|--|--|--|--|
| | | | | | | | | | | | D | 01 | 02 | 03 | 04 | 05 | 06 | 07 | 08 | 09 | 10 | 11 | 12 | 13 | 14 | 15 | 16 | 17 | 18 | 19 | 20 | | | | | | | | | | | |
| | 1 | 01 | 16523-70W00 | INSULATOR | | | 01 | 0498- | | | <input type="radio"/> | <input type="radio"/> | | | | | | | | | | | | | | | | | | | | | | | | | | | | | | |
| | 2 | 01 | 16267-50K00 | HORN ASSY-AIR | | | 01 | 0498- | | | <input type="radio"/> | <input type="radio"/> | | | | | | | | | | | | | | | | | | | | | | | | | | | | | | |
| | 3 | 01 | 16270-71W00 | SPACER-AIR HORN | | | 01 | 0498- | | | <input type="radio"/> | <input type="radio"/> | | | | | | | | | | | | | | | | | | | | | | | | | | | | | | |
| | 4 | 01 | 01131-00311 | BOLT | | | 02 | 0498- | | | <input type="radio"/> | <input type="radio"/> | | | | | | | | | | | | | | | | | | | | | | | | | | | | | | |

SEC.170 FUEL PUMP



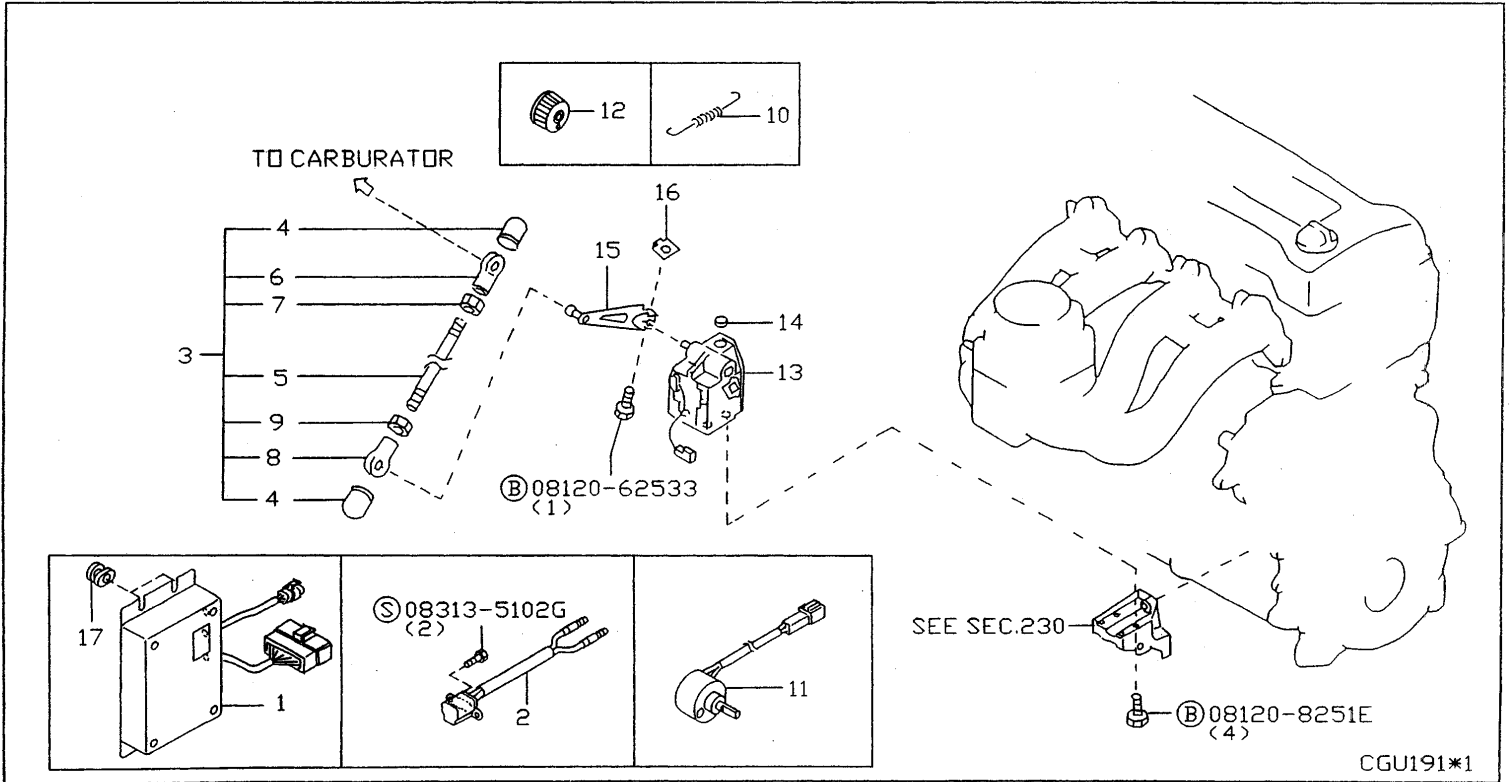
CGU170*1

SEC.170 FUEL PUMP

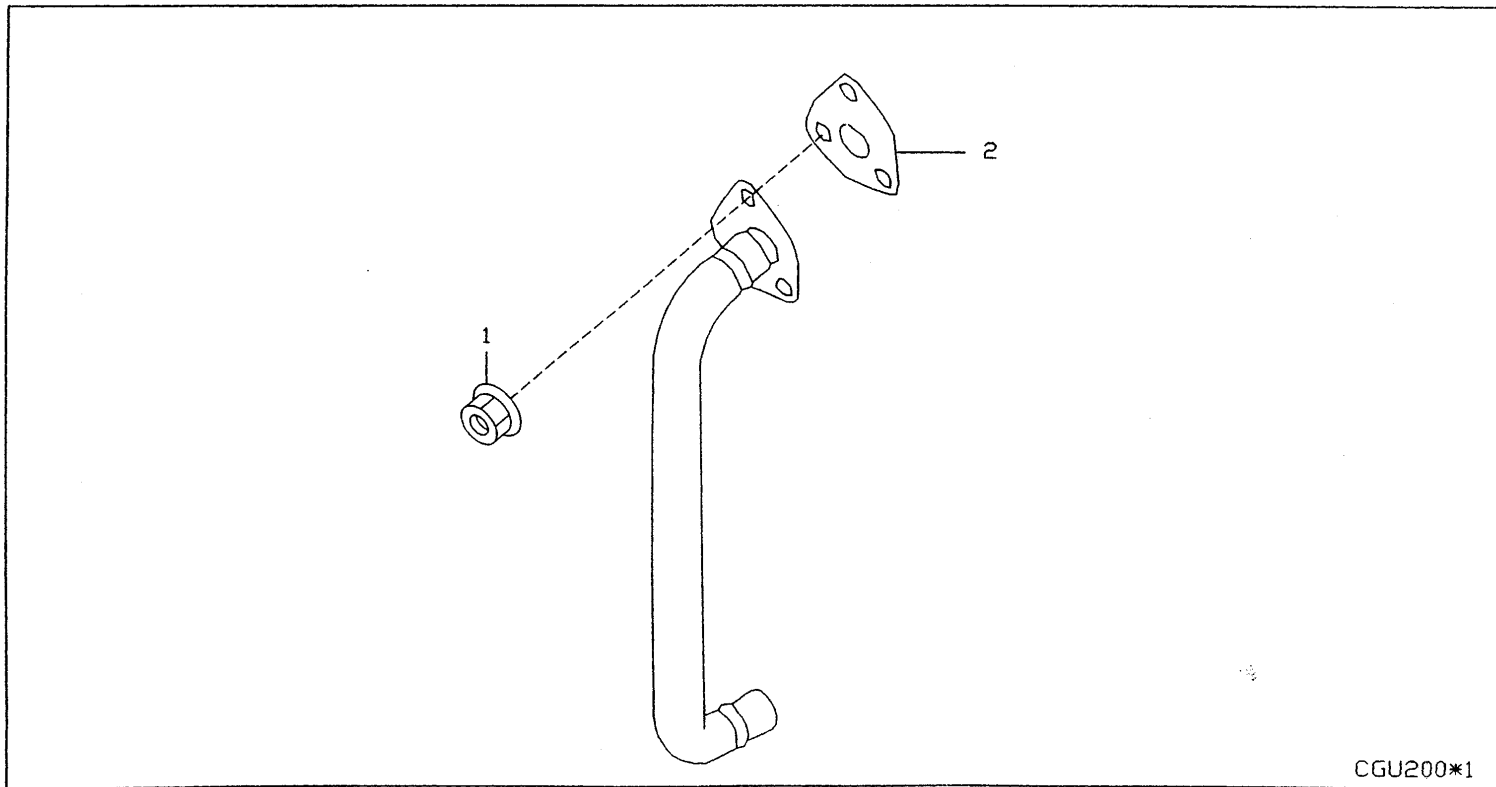
| APPLIED MODEL | | | | | | | | | | | | | | | | | | | | |
|----------------------------|----------------------------|-----------------------|-------------|----|----|----|----|----|----|----|----|----|----|----|----|----|----|----|----|----|
| P O C G 1 3 | P O C G 1 3 | | | | | | | | | | | | | | | | | | | |
| P U S H | S U C T | F A N | F A N | | | | | | | | | | | | | | | | | |
| D | 01 | 02 | 03 | 04 | 05 | 06 | 07 | 08 | 09 | 10 | 11 | 12 | 13 | 14 | 15 | 16 | 17 | 18 | 19 | 20 |
| | <input type="radio"/> | <input type="radio"/> | | | | | | | | | | | | | | | | | | |
| | <input type="radio"/> | <input type="radio"/> | | | | | | | | | | | | | | | | | | |
| | <input type="radio"/> | <input type="radio"/> | | | | | | | | | | | | | | | | | | |

| N C | S | KEY NO. | L E V | PART NO. | PART NAME | SPECIFICATION | QTY | APPLIED DATE | I C A N | FORMER PART NO. | K | APPLIED MODEL | | | | | | | | | | | | | | | | | | | | | | | | | | | | | | | |
|--------|---|---------|-------------|-------------|---------------------------------|---------------|-----|--------------|------------------|-----------------|---|-----------------------|-----------------------|----|----|----|----|----|----|----|----|----|----|----|----|----|----|----|----|----|----|----|--|--|--|--|--|--|--|--|--|--|--|
| | | | | | | | | | | | | D | 01 | 02 | 03 | 04 | 05 | 06 | 07 | 08 | 09 | 10 | 11 | 12 | 13 | 14 | 15 | 16 | 17 | 18 | 19 | 20 | | | | | | | | | | | |
| | | 1 | 01 | 17020-72W00 | PUMP ASSY-FUEL | | | 01 | 0498- | | | <input type="radio"/> | <input type="radio"/> | | | | | | | | | | | | | | | | | | | | | | | | | | | | | | |
| | | 2 | 01 | 16400-H8501 | STRAINER ASSY-FUEL FOR GASOLINE | | | 01 | 0498- | | | <input type="radio"/> | <input type="radio"/> | | | | | | | | | | | | | | | | | | | | | | | | | | | | | | |
| | | 3 | 01 | 16419-G5101 | BRACKET-STRAINER | | | 01 | 0498- | | | <input type="radio"/> | <input type="radio"/> | | | | | | | | | | | | | | | | | | | | | | | | | | | | | | |

SEC.191 GOVERNOR



SEC.200 EXHAUST TUBE & MUFFLER



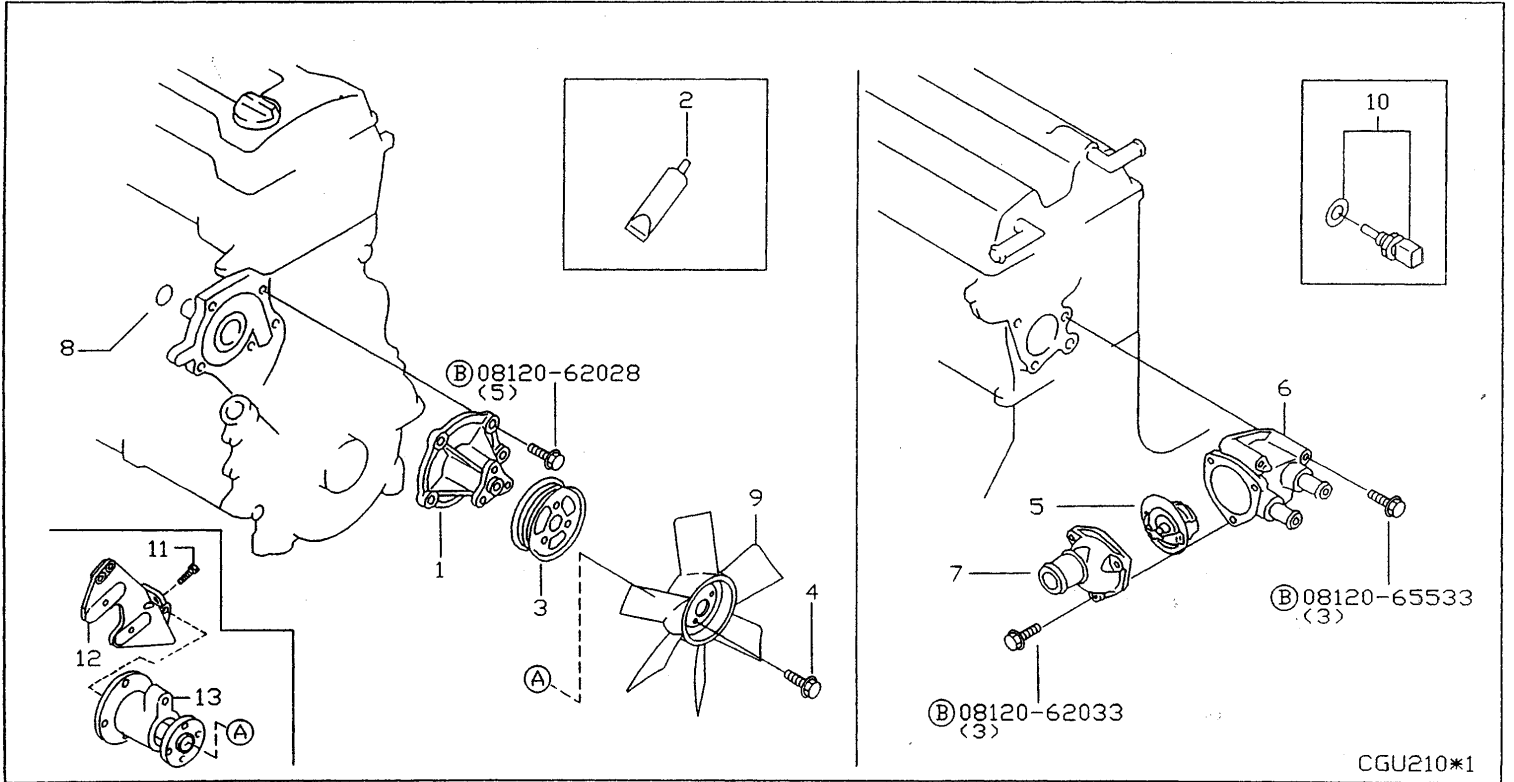
CGU200*1

200-1

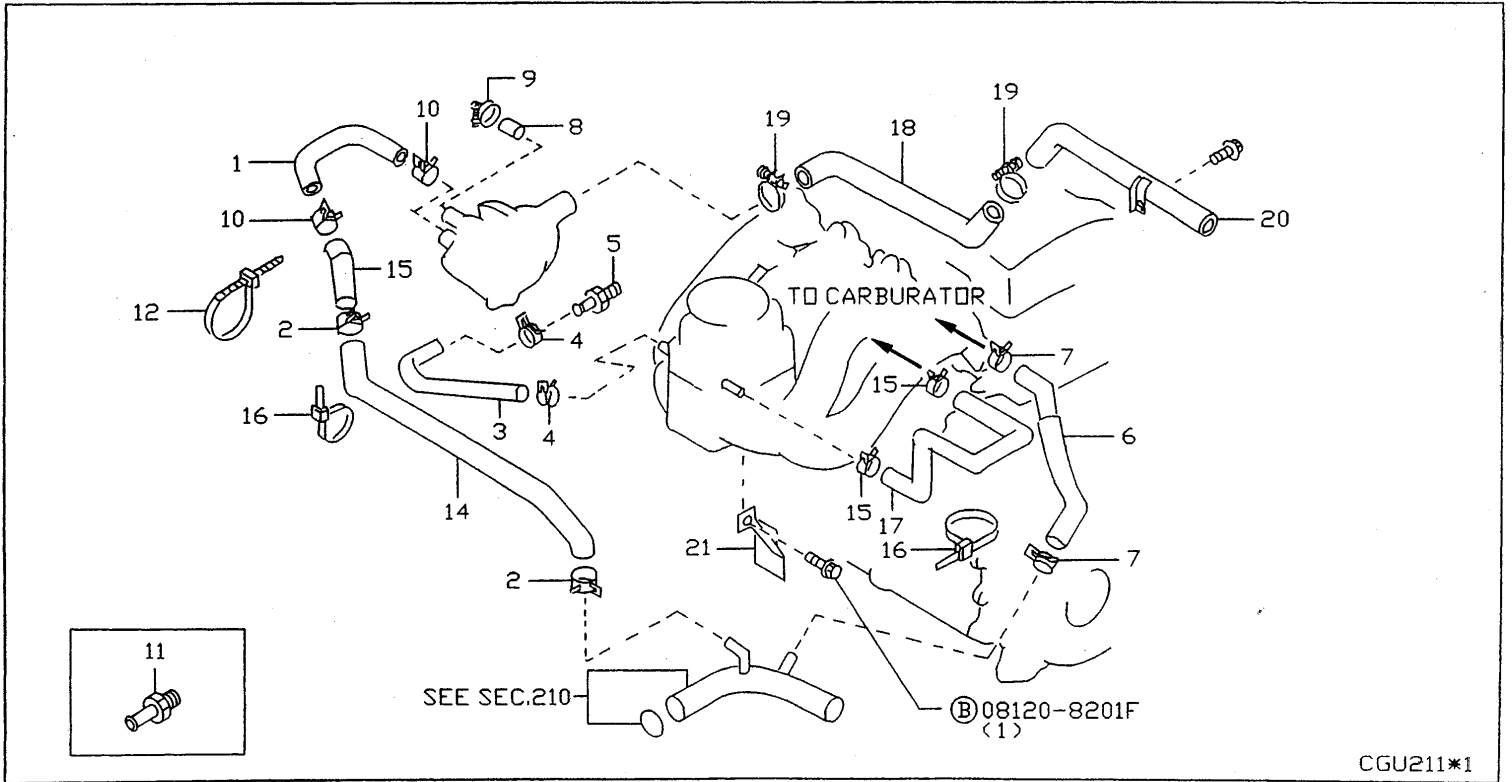
SEC.200 EXHAUST TUBE & MUFFLER

| N C | S | KEY NO. | L E V | PART NO. | PART NAME | SPECIFICATION | QTY | APPLIED DATE | CA NF | FORMER PART NO. | K D | APPLIED MODEL | | | | | | | | | | | | | | | | | | | |
|--------|---|---------|-------------|----------|-------------|-----------------------|-----|--------------|----------|-----------------|--------|----------------------------|------------------|-------------|-------------|----|----|----|----|----|----|----|----|----|----|----|----|----|----|----|----|
| | | | | | | | | | | | | P O C G 1 3 | P U S H | F A N | F A N | | | | | | | | | | | | | | | | |
| | | 1 | 01 | 1 | 20602-01W00 | NUT-FIX, EXHAUST TUBE | | 03 | 0498- | | | 01 | 02 | 03 | 04 | 05 | 06 | 07 | 08 | 09 | 10 | 11 | 12 | 13 | 14 | 15 | 16 | 17 | 18 | 19 | 20 |
| | | 2 | 01 | 1 | 20691-72W00 | GASKET-EXHAUST | | 01 | 0498- | | | 01 | 02 | 03 | 04 | 05 | 06 | 07 | 08 | 09 | 10 | 11 | 12 | 13 | 14 | 15 | 16 | 17 | 18 | 19 | 20 |

SEC.210 WATER PUMP, COOLING FAN & THERMOSTAT



SEC.211 MANIFOLD



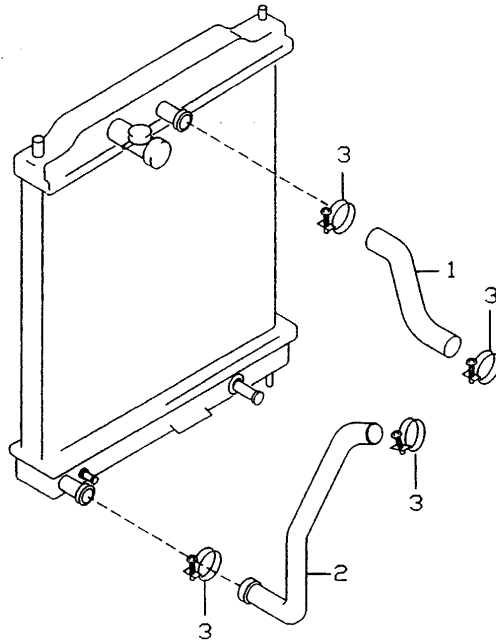
211-1

SEC.211 MANIFOLD

| APPLIED MODEL | | | | | | | | | | | | | | | | | | | | |
|----------------------------|------------------|-------------|-------------|------------------|-------------|--|--|--|--|--|--|--|--|--|--|--|--|--|--|--|
| P O C G I 3 | P U S H | F A N | F A N | S U C T | F A N | | | | | | | | | | | | | | | |
| | | | | | | | | | | | | | | | | | | | | |

| N C | S | KEY NO. | L E V E L | PART NO. | PART NAME | SPECIFICATION | QTY | APPLIED DATE | CA NF | FORMER PART NO. | K D | 01 | 02 | 03 | 04 | 05 | 06 | 07 | 08 | 09 | 10 | 11 | 12 | 13 | 14 | 15 | 16 | 17 | 18 | 19 | 20 |
|--------|---|---------|-----------------------|-------------|-------------------------|---------------|-----|--------------|----------|-----------------|--------|----|----|----|----|----|----|----|----|----|----|----|----|----|----|----|----|----|----|----|----|
| | | 1 | 01 | 14055-41B02 | HOSE-WATER | 33361805 | | 01-0498- | | | | | | | | | | | | | | | | | | | | | | | |
| | | 2 | 01 | 16439-V5000 | CLAMP | 3336181 | | 02-0498- | | | | | | | | | | | | | | | | | | | | | | | |
| | | 3 | 01 | 14055-41B15 | HOSE-WATER | 3336203 | | 01-0498- | | | | | | | | | | | | | | | | | | | | | | | |
| | | 4 | 01 | 16439-56S00 | CLAMP | 3336182 | | 02-0498- | | | | | | | | | | | | | | | | | | | | | | | |
| | | 5 | 01 | 14875-41B05 | CONNECTOR-WATER | 3336196 | | 01-0498- | | | | | | | | | | | | | | | | | | | | | | | |
| | | 6 | 01 | 14055-41B07 | CONNECTOR-LPG | 3336204 | | 01-0498- | | | | | | | | | | | | | | | | | | | | | | | |
| | | 7 | 01 | 16439-56S00 | CLIP | 3336182 | | 02-0498- | | | | | | | | | | | | | | | | | | | | | | | |
| | | 8 | 01 | 14058-E3000 | CAP-ADAPTOR DRAIN | 3336200 | | 01-0498- | | | | | | | | | | | | | | | | | | | | | | | |
| | | 9 | 01 | 01555-00361 | CLAMP-HOSE | 3336503 | | 01-0498- | | | | | | | | | | | | | | | | | | | | | | | |
| | | 10 | 01 | 16439-V5000 | CLAMP | 3336181 | | 02-0498- | | | | | | | | | | | | | | | | | | | | | | | |
| | | 11 | 01 | 14875-0U000 | CONNECTOR-HOSE | 3336197 | | 01-0498- | | | | | | | | | | | | | | | | | | | | | | | |
| | | 12 | 01 | 01552-00961 | CLIP | 3336505 | | 01-0498- | | | | | | | | | | | | | | | | | | | | | | | |
| | | 13 | 01 | 14053-72W00 | PIPE-WATER A | 3336206 | | 01-0498- | | | | | | | | | | | | | | | | | | | | | | | |
| | | 14 | 01 | 14055-72W00 | HOSE-WATER | 3336202 | | 01-0498- | | | | | | | | | | | | | | | | | | | | | | | |
| | | 15 | 01 | 16439-56S00 | CLAMP-HOSE | 3336182 | | 02-0498- | | | | | | | | | | | | | | | | | | | | | | | |
| | | 16 | 01 | 01552-00033 | CLIP | 3336506 | | 02-0498- | | | | | | | | | | | | | | | | | | | | | | | |
| | | 17 | 01 | 14055-73W00 | HOSE-WATER | 3336201 | | 01-0498- | | | | | | | | | | | | | | | | | | | | | | | |
| | | 18 | 01 | 21502-72W00 | HOSE-RADIATOR UPPER | 3336139 | | 01-0498- | | | | | | | | | | | | | | | | | | | | | | | |
| | | 19 | 01 | 01555-00281 | CLAMP-HOSE | 3336504 | | 02-0498- | | | | | | | | | | | | | | | | | | | | | | | |
| | | 20 | 01 | 21517-72W00 | PIPE-HOSE, LOWER | 3336166 | | 01-0498- | | | | | | | | | | | | | | | | | | | | | | | |
| | | 21 | 01 | 21047-72W01 | BRACKET-TUBE OIL COOLER | 3336173 | | 01-0498- | | | | | | | | | | | | | | | | | | | | | | | |

SEC.214 RADIATOR



CGU214*1

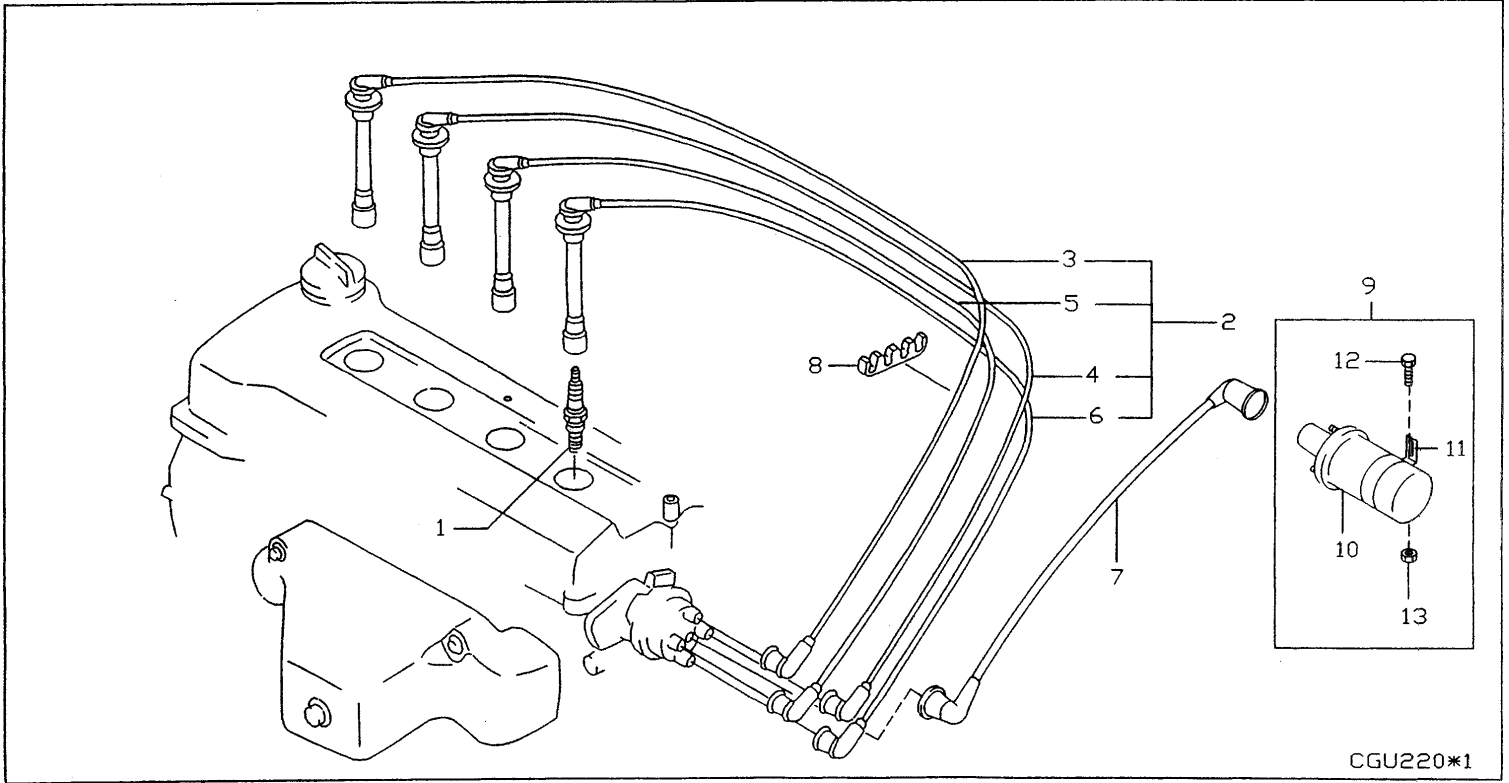
214-1

SEC.214 RADIATOR

| APPLIED MODEL | | | | | | | | | | | | | | | | | | | | |
|---------------------------------------------------------------|---------------------------------------------------------------|----|----|----|----|----|----|----|----|----|----|----|----|----|----|----|----|----|----|--|
| P O C G 1 3 P U S H F A N | P O C G 1 3 S U C T F A N | | | | | | | | | | | | | | | | | | | |
| 01 | 02 | 03 | 04 | 05 | 06 | 07 | 08 | 09 | 10 | 11 | 12 | 13 | 14 | 15 | 16 | 17 | 18 | 19 | 20 | |
| <input type="checkbox"/> | <input type="checkbox"/> | | | | | | | | | | | | | | | | | | | |
| <input type="checkbox"/> | <input type="checkbox"/> | | | | | | | | | | | | | | | | | | | |
| <input type="checkbox"/> | <input type="checkbox"/> | | | | | | | | | | | | | | | | | | | |

| N S C | KEY NO. | L I N E | PART NO. | PART NAME | SPECIFICATION | QTY | APPLIED DATE | CA N F | FORMER PART NO. | K | |
|-------------|---------|------------------|-------------|---------------------|---------------|-----|--------------|--------------|-----------------|--------------------------|--------------------------|
| | | | | | | | | | | D | D |
| | 1 | 01 | 21501-70W00 | HOSE-RADIATER UPPER | | | 01 0498- | | | <input type="checkbox"/> | <input type="checkbox"/> |
| | 2 | 01 | 21503-70W00 | HOSE-RADIATER LOWER | | | 01 0498- | | | <input type="checkbox"/> | <input type="checkbox"/> |
| | 3 | 01 | 01555-00281 | CLAMP-HOSE | 3336504 | | 04 0498- | | | <input type="checkbox"/> | <input type="checkbox"/> |

SEC.220 IGNITION SYSTEM



220-1

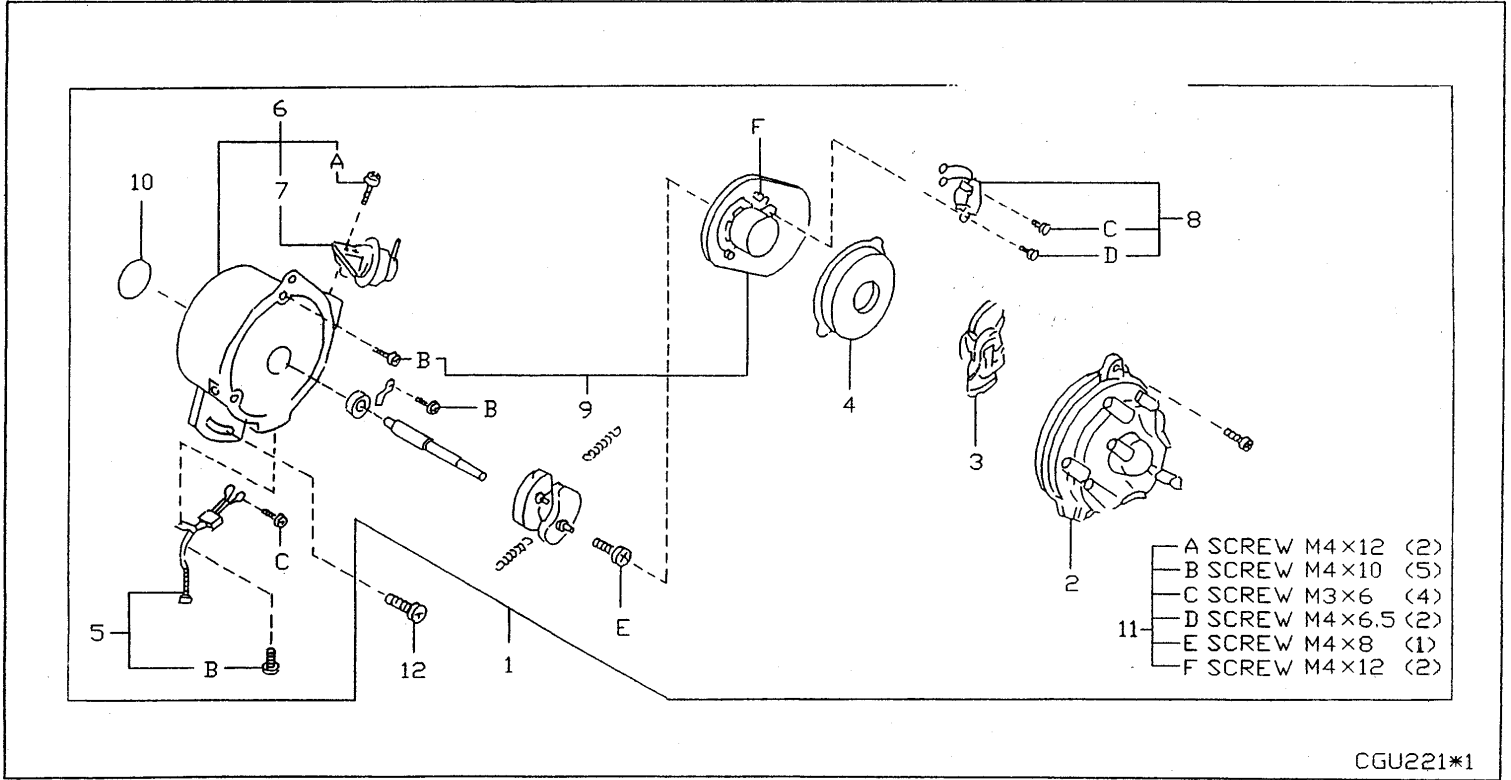
CGU220*1

SEC.220 IGNITION SYSTEM

| APPLIED MODEL | | | | | | | | | | | | | | | | | | | | |
|-----------------------------------------------------------------------|-----------------------------------------------------------------------|-----------------------------------------------------------------------|-----------------------------------------------------------------------|-----------------------------------------------------------------------|-----------------------------------------------------------------------|-----------------------------------------------------------------------|-----------------------------------------------------------------------|-----------------------------------------------------------------------|-----------------------------------------------------------------------|-----------------------------------------------------------------------|-----------------------------------------------------------------------|-----------------------------------------------------------------------|-----------------------------------------------------------------------|-----------------------------------------------------------------------|-----------------------------------------------------------------------|-----------------------------------------------------------------------|-----------------------------------------------------------------------|-----------------------------------------------------------------------|-----------------------------------------------------------------------|--|
| P O C K E T P U S H F A N | P O C K E T P U S H F A N | P O C K E T P U S H F A N | P O C K E T P U S H F A N | P O C K E T P U S H F A N | P O C K E T P U S H F A N | P O C K E T P U S H F A N | P O C K E T P U S H F A N | P O C K E T P U S H F A N | P O C K E T P U S H F A N | P O C K E T P U S H F A N | P O C K E T P U S H F A N | P O C K E T P U S H F A N | P O C K E T P U S H F A N | P O C K E T P U S H F A N | P O C K E T P U S H F A N | P O C K E T P U S H F A N | P O C K E T P U S H F A N | P O C K E T P U S H F A N | P O C K E T P U S H F A N | |
| | | | | | | | | | | | | | | | | | | | | |

| N C | S | KEY NO. | L E V | PART NO. | PART NAME | SPECIFICATION | QTY | APPLIED DATE | CA NF | FORMER PART NO. | K D |
|--------|---|---------|-------------|-------------|-----------------------------------------|---------------|-----|--------------|----------|-----------------|--------|
| | | 1 01 1 | | 22401-50Y05 | PLUG-SPARK | 3336154 | | 040498- | | | |
| | | 02 1 | | 22401-50Y04 | | 3336154 | | 040498- | | | |
| | | 03 1 | | 22401-50Y06 | | 3336154 | | 040498- | | | |
| | | 04 1 | | 22401-50Y07 | | 3336154 | | 040498- | | | |
| | | 2 01 1 | | 22440-70W10 | CABLE SET-HIGH TENSION | 3336150 | | 010498- | | | |
| | | 3 01 2 | | 22451-70W10 | CABLE-HIGH TENSION, NO. 1 | 3336147 | | 010498- | | | |
| | | 4 01 2 | | 22452-70W10 | CABLE-HIGH TENSION, NO. 2 | 3336146 | | 010498- | | | |
| | | 5 01 2 | | 22453-70W00 | CABLE-HIGH TENSION, NO. 3 | 3336145 | | 010498- | | | |
| | | 6 01 2 | | 22454-70W00 | CABLE-HIGH TENSION, NO. 4 | 3336144 | | 010498- | | | |
| | | 7 01 1 | | 22450-1C711 | CABLE ASSY-IGNITION COIL TO DISTRIBUTOR | 3336148 | | 010498- | | | |
| | | 8 01 1 | | 22472-D4205 | CLAMP-HIGH TENSION CABLE | 3336140 | | 010498- | | | |
| | | 9 01 1 | | 22433-52A60 | COIL ASSY-IGNITION | 3336151 | | 010498- | | | |
| | | 10 01 2 | | 22462-52A60 | COIL-IGNITION | 3336143 | | 010498- | | | |
| | | 11 01 2 | | 22441-50A60 | BAND | 3336149 | | 010498- | | | |
| | | 12 01 2 | | 22467-50A60 | SCREW | 3336141 | | 010498- | | | |
| | | 13 01 2 | | 22464-50A60 | NUT | 3336142 | | 010498- | | | |

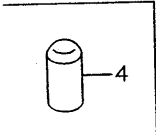
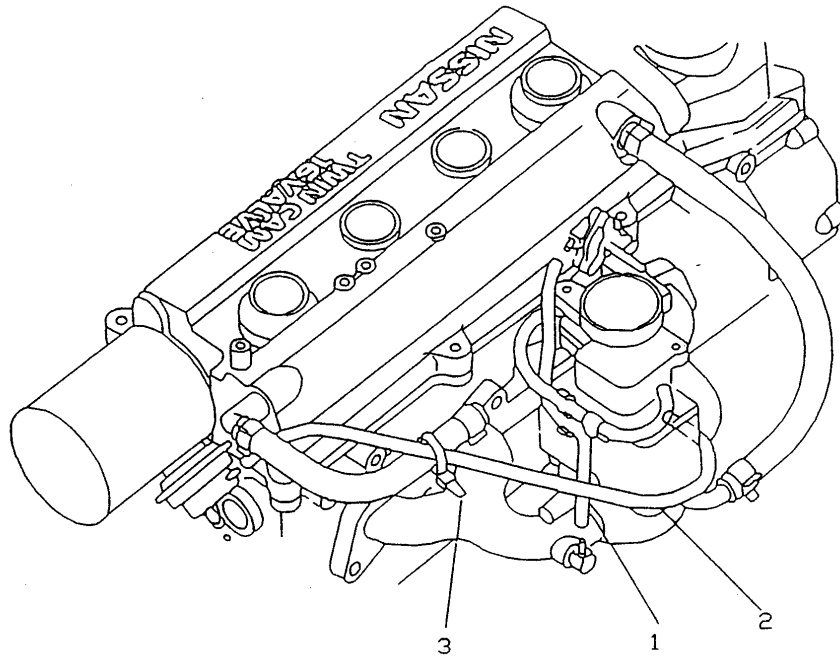
SEC.221 DISTRIBUTOR



221-1

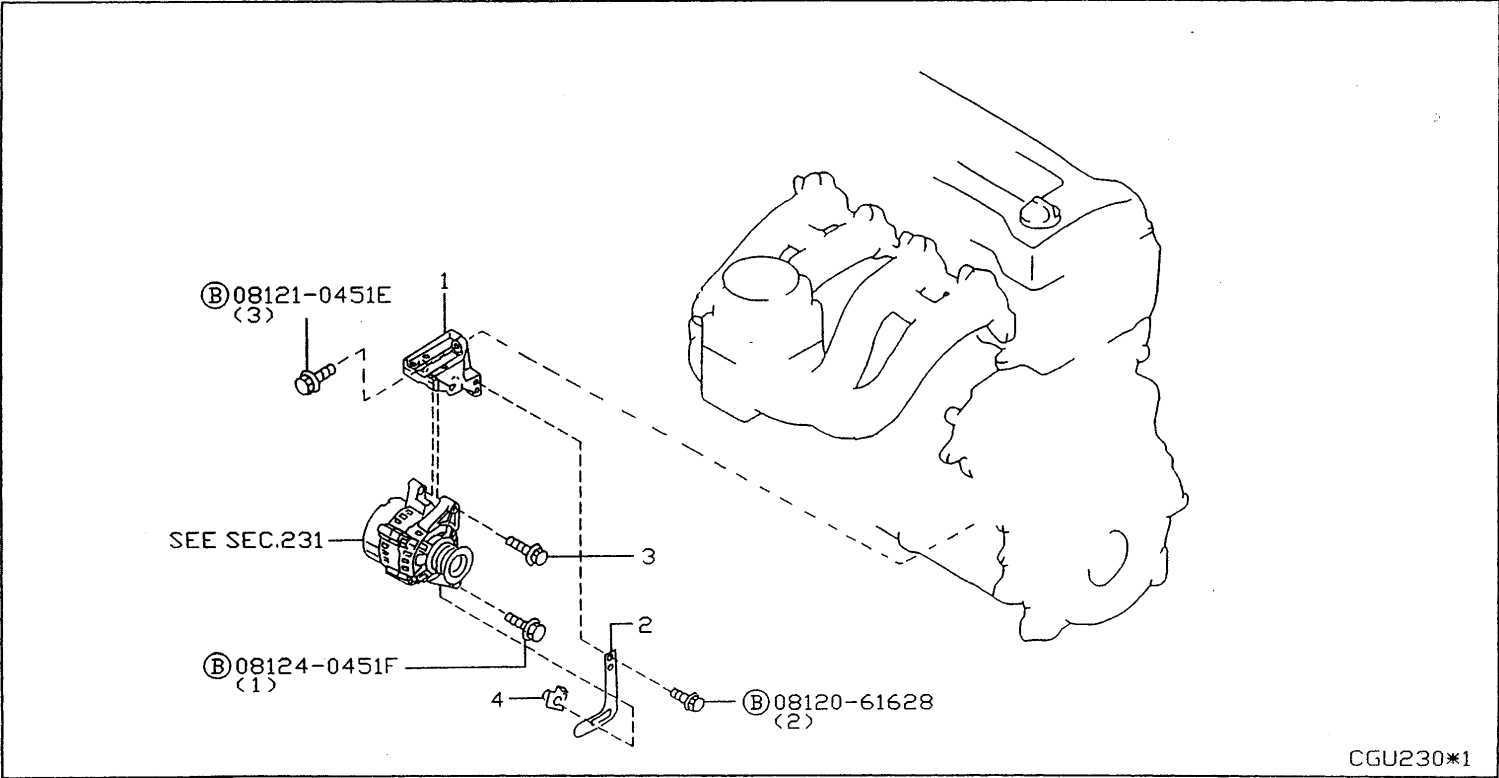
CGU221*1

SEC.223 VACUUM PIPING



CGU223*1

SEC.230 ALTERNATOR FITTING

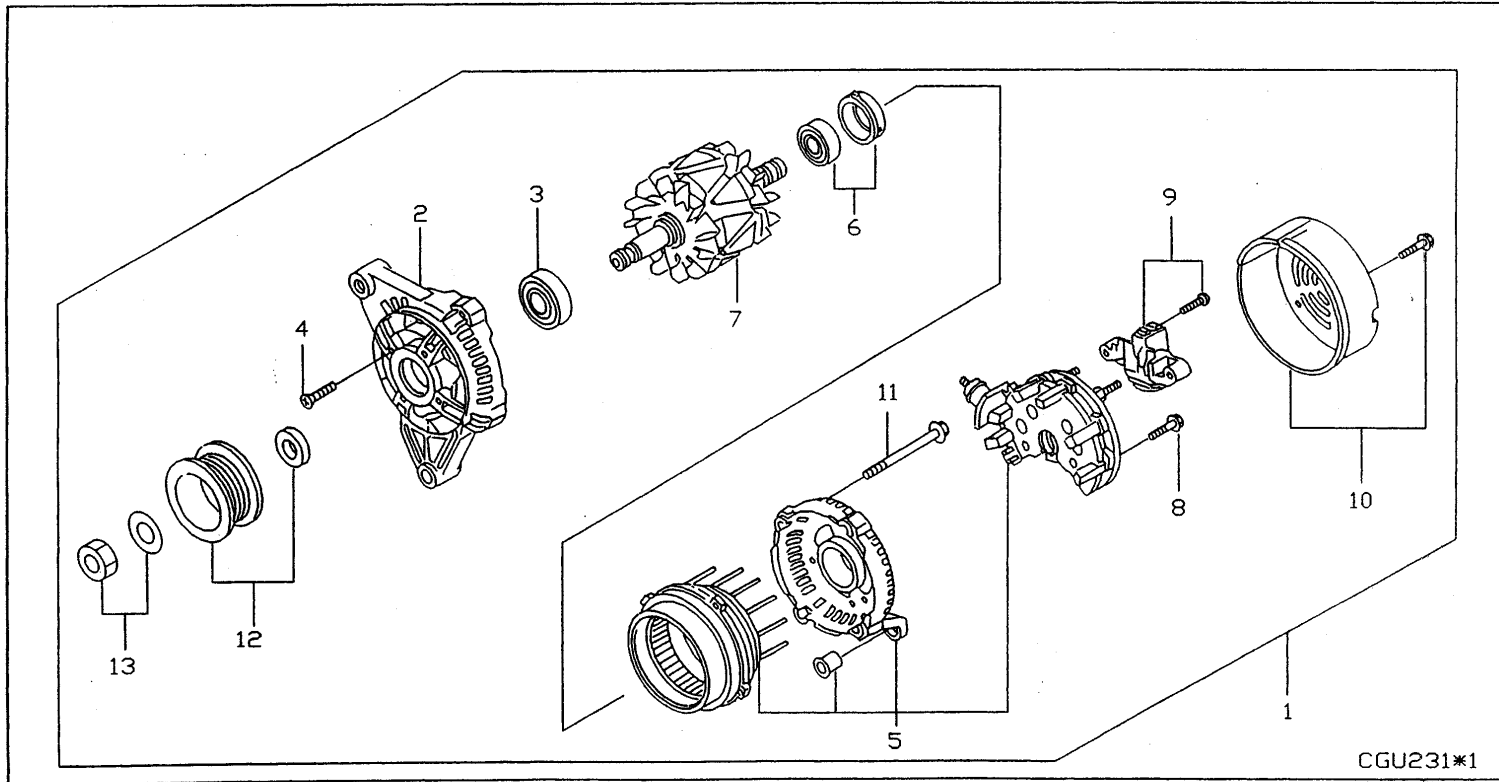


CGU230*1

SEC.230 ALTERNATOR FITTING

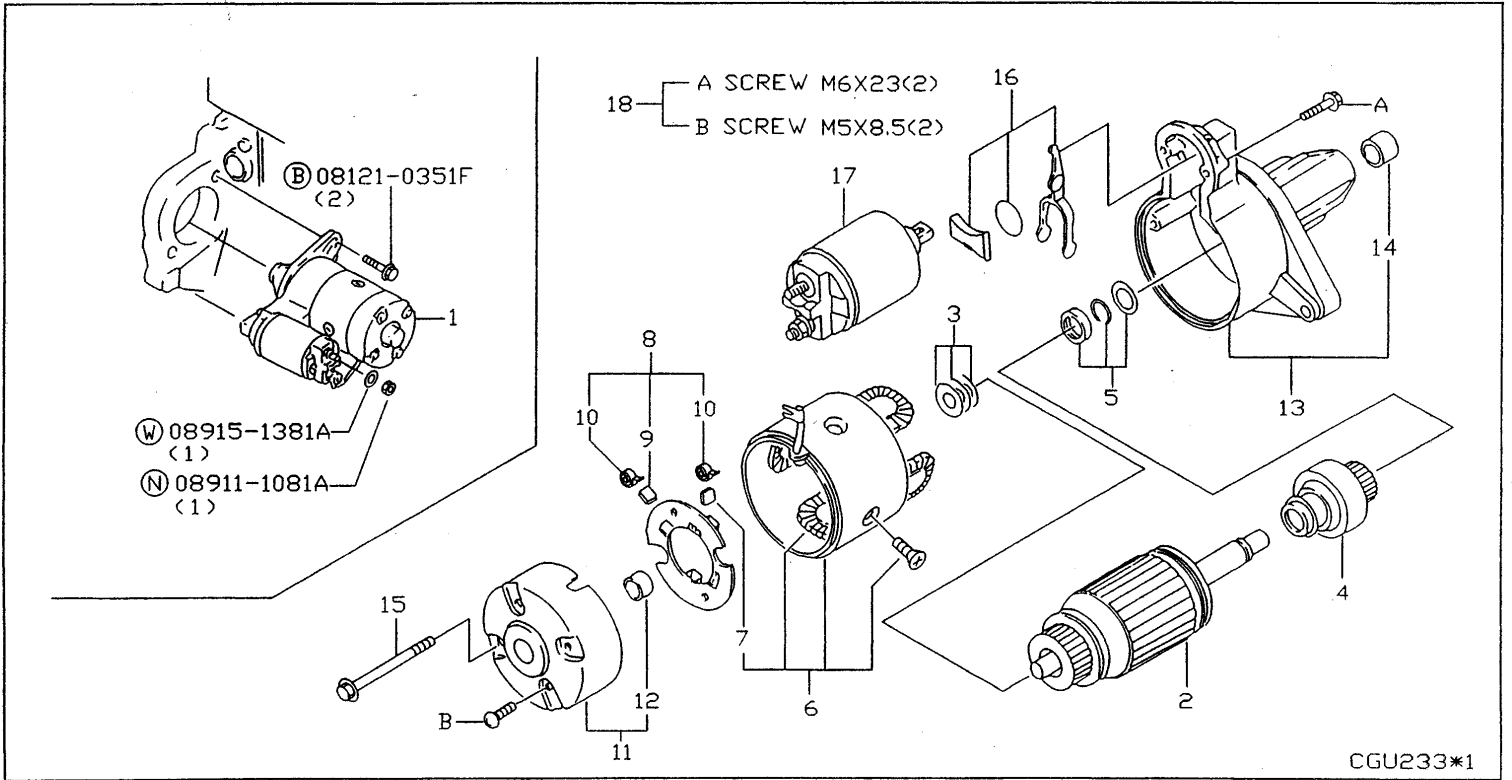
| N/C | S | KEY NO. | LEV | PART NO. | PART NAME | SPECIFICATION | QTY | APPLIED DATE | ICA NF | FORMER PART NO. | K | APPLIED MODEL | | | | | | | | | | | | | | | | | | | | | | | | | | | | | | | |
|-----|---|---------|-----|----------|-------------|---------------------------|-----|--------------|--------|-----------------|---|---------------|----|----|----|----|----|----|----|----|----|----|----|----|----|----|----|----|----|----|----|----|--|--|--|--|--|--|--|--|--|--|--|
| | | | | | | | | | | | | D | 01 | 02 | 03 | 04 | 05 | 06 | 07 | 08 | 09 | 10 | 11 | 12 | 13 | 14 | 15 | 16 | 17 | 18 | 19 | 20 | | | | | | | | | | | |
| | | 1 | 01 | 1 | 11710-73W01 | BRACKET-ALTERNATOR | | 01 | 0498- | | | O | O | | | | | | | | | | | | | | | | | | | | | | | | | | | | | | |
| | | 2 | 01 | 1 | 11715-73W01 | BAR-ADJUSTING, ALTERNATOR | | 01 | 0498- | | | O | O | | | | | | | | | | | | | | | | | | | | | | | | | | | | | | |
| | | 3 | 01 | 1 | 01121-05891 | STUD-ADJUST BAR | | 01 | 0498- | | | O | O | | | | | | | | | | | | | | | | | | | | | | | | | | | | | | |
| | | 4 | 01 | 1 | 18169-72W02 | NUT | | 01 | 0498- | | | O | O | | | | | | | | | | | | | | | | | | | | | | | | | | | | | | |
| | | | | | | | | | | | | | | | | | | | | | | | | | | | | | | | | | | | | | | | | | | | |
| | | | | | | | | | | | | | | | | | | | | | | | | | | | | | | | | | | | | | | | | | | | |
| | | | | | | | | | | | | | | | | | | | | | | | | | | | | | | | | | | | | | | | | | | | |

SEC.231 ALTERNATOR

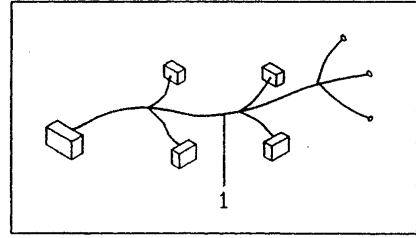
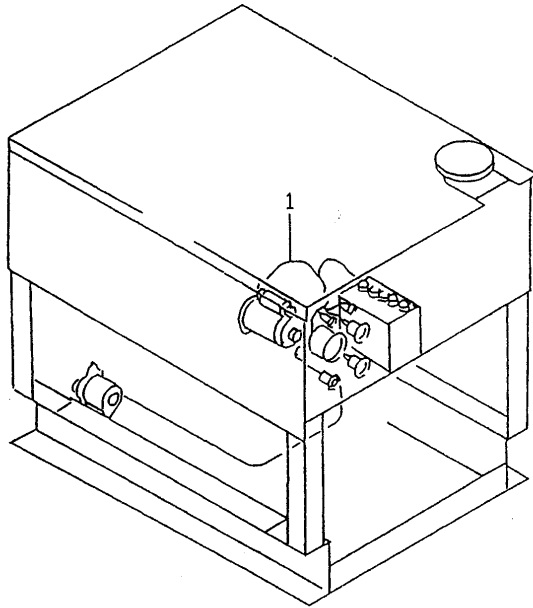


CGU231*1

SEC.233 STARTER MOTOR



SEC.240 WIRING



CGU240*1

240-1

SEC.240 WIRING

| N/C | KEY NO. | LEV | PART NO. | PART NAME | SPECIFICATION | QTY | APPLIED DATE | ICAF | FORMER PART NO. | K | APPLIED MODEL | | | | | | | | | | | | | | | | | | | | | | | | | | | | | | | |
|-----|---------|-----|----------|-------------|-------------------|-----|--------------|-------|-----------------|---|---------------|----|----|----|----|----|----|----|----|----|----|----|----|----|----|----|----|----|----|----|----|--|--|--|--|--|--|--|--|--|--|--|
| | | | | | | | | | | | D | 01 | 02 | 03 | 04 | 05 | 06 | 07 | 08 | 09 | 10 | 11 | 12 | 13 | 14 | 15 | 16 | 17 | 18 | 19 | 20 | | | | | | | | | | | |
| | 1 | 01 | 1 | 24010-72W01 | HARNESS ASSY-MAIN | | 01 | 0498- | | | | | | | | | | | | | | | | | | | | | | | | | | | | | | | | | | |
| | | | | | | | | | | | | | | | | | | | | | | | | | | | | | | | | | | | | | | | | | | |
| | | | | | | | | | | | | | | | | | | | | | | | | | | | | | | | | | | | | | | | | | | |